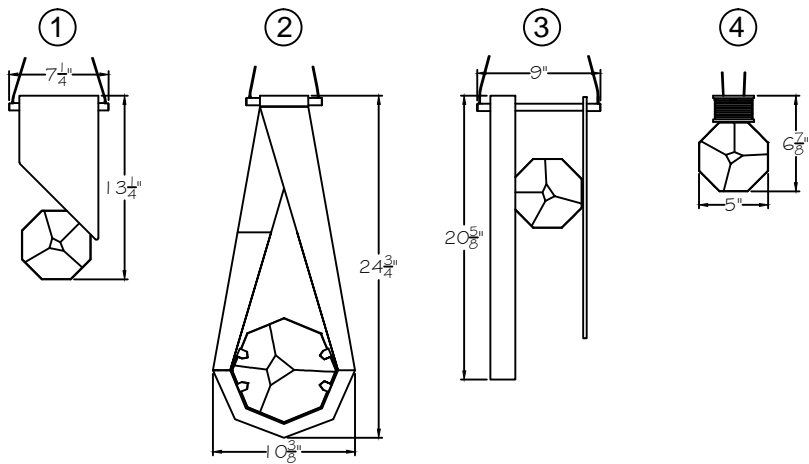
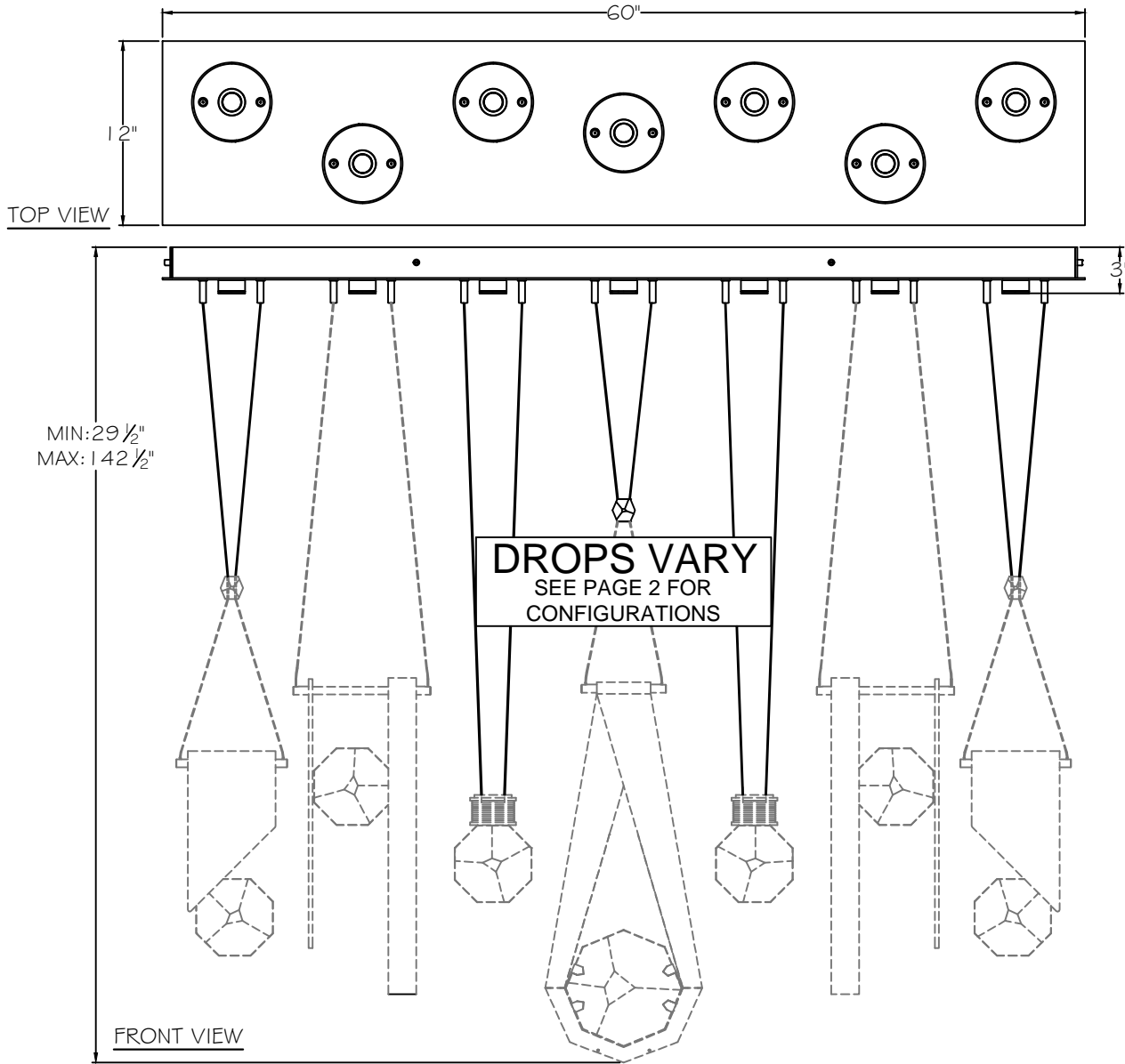


CUSTOMER REFERENCE DRAWING



100007 - - - - -

- BODY FINISH (1-5) →
- DROP TYPE (1-4) →
- DROP TYPE (1-4) →
- DROP TYPE (1-4) →
- DROP TYPE (1-4) →
- DROP TYPE (1-4) →
- DROP TYPE (1-4) →

FINISHES:

- 1 (BRUSHED SILVER)
- 2 (CLOUD WHITE)
- 3 (SOFT BRONZE)
- 4 (SILVER OMBRE)
- 5 (BRUSHED GOLD)

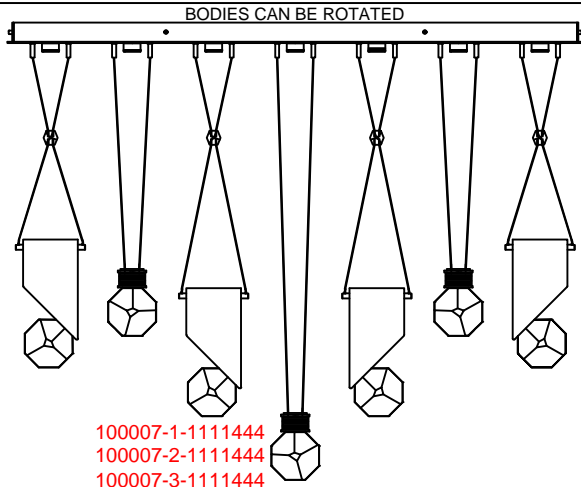


This drawing, specifications and the product depicted are the exclusive property of Fine Art Handcrafted Lighting®. In compliance with US copyright and patent requirements, notice is hereby given that this document and the product depicted shall not be copied, altered or used in any manner without the expressed written consent of Fine Art Handcrafted Lighting®.

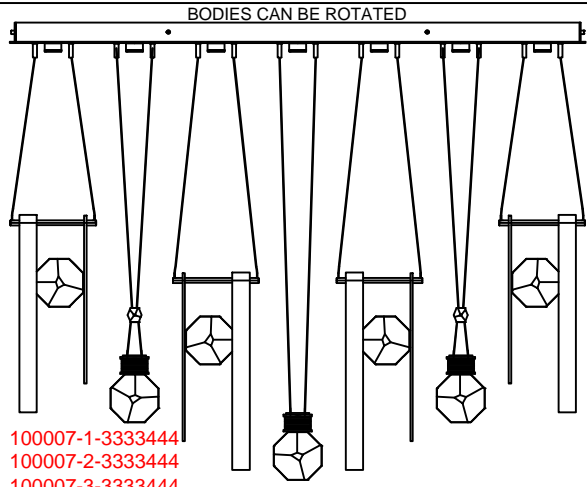
www.finearthl.com Tel:(305) 821-3850 Fax:(305) 513-5736
FINE ART LAMPS®

STYLE NUMBER:
100007
DATE:
8/28/23

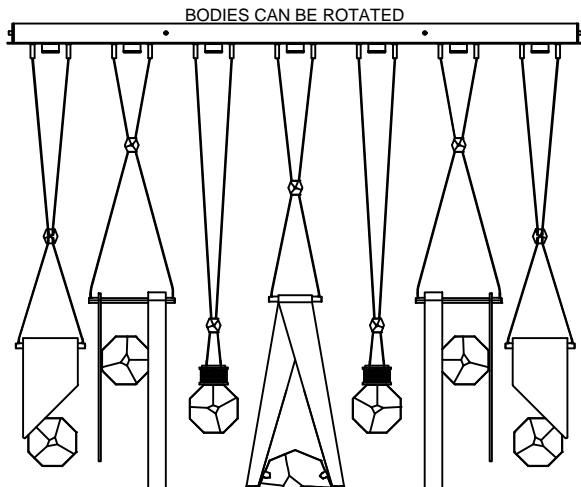
CUSTOMER REFERENCE DRAWING



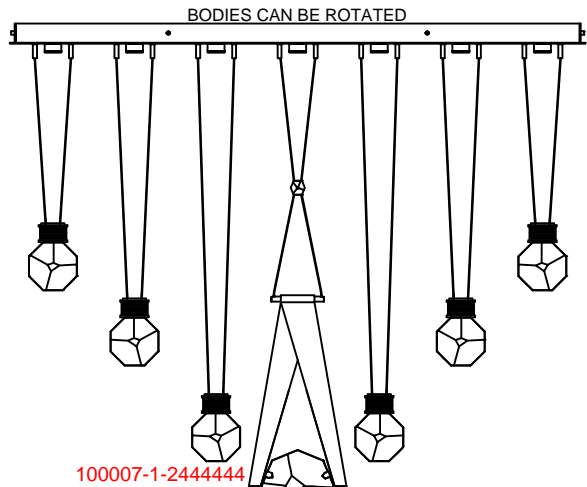
100007-1-1111444
 100007-2-1111444
 100007-3-1111444
 100007-4-1111444
 100007-5-1111444



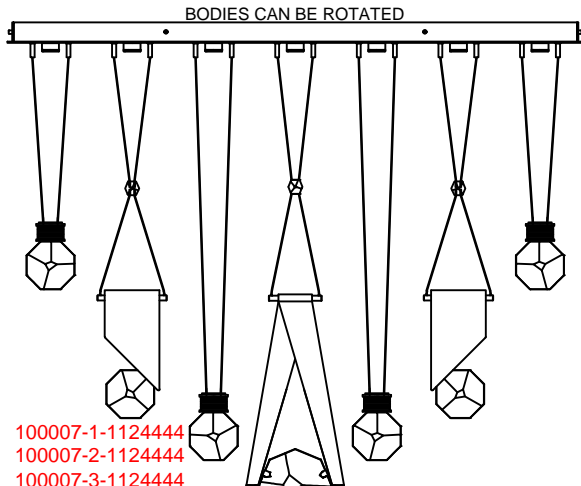
100007-1-3333444
 100007-2-3333444
 100007-3-3333444
 100007-4-3333444
 100007-5-3333444



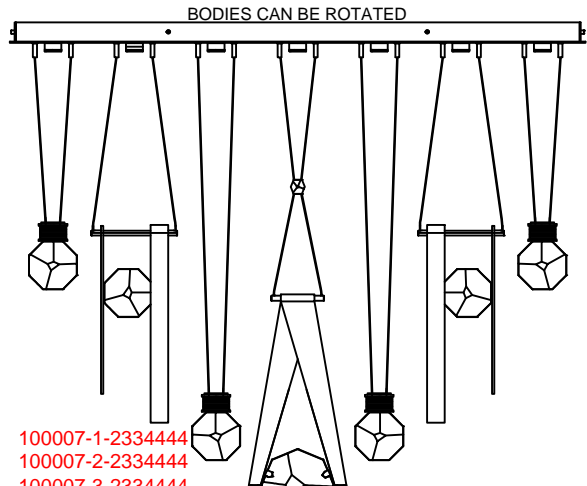
100007-1-1123344
 100007-2-1123344
 100007-3-1123344
 100007-4-1123344
 100007-5-1123344



100007-1-2444444
 100007-2-2444444
 100007-3-2444444
 100007-4-2444444
 100007-5-2444444



100007-1-1124444
 100007-2-1124444
 100007-3-1124444
 100007-4-1124444
 100007-5-1124444



100007-1-2334444
 100007-2-2334444
 100007-3-2334444
 100007-4-2334444
 100007-5-2334444

FINISHES:

- 1 (BRUSHED SILVER)
- 2 (CLOUD WHITE)
- 3 (SOFT BRONZE)
- 4 (SILVER OMBRE)
- 5 (BRUSHED GOLD)



This drawing, specifications and the product depicted are the exclusive property of Fine Art Handcrafted Lighting®. In compliance with US copyright and patent requirements, notice is hereby given that this document and the product depicted shall not be copied, altered or used in any manner without the expressed written consent of Fine Art Handcrafted Lighting®.

www.finearthl.com Tel:(305) 821-3850 Fax:(305) 513-5736
 FINE ART LAMPS®

STYLE NUMBER:
 100007
 DATE:
 8/28/23