

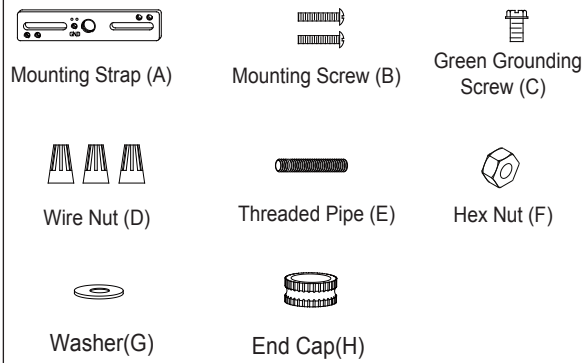
ASSEMBLY AND INSTALLATION INSTRUCTIONS

T0212

WARNING: TO AVOID RISK OF ELECTRICAL SHOCK, BE SURE TO SHUT OFF POWER BEFORE INSTALLING OR SERVICING THIS FIXTURE.

NOTES: 1. Before installing, consult local electrical codes for wiring and grounding requirements.
2. READ AND SAVE THESE INSTRUCTIONS.

Hardware Package (included):



Installation Steps

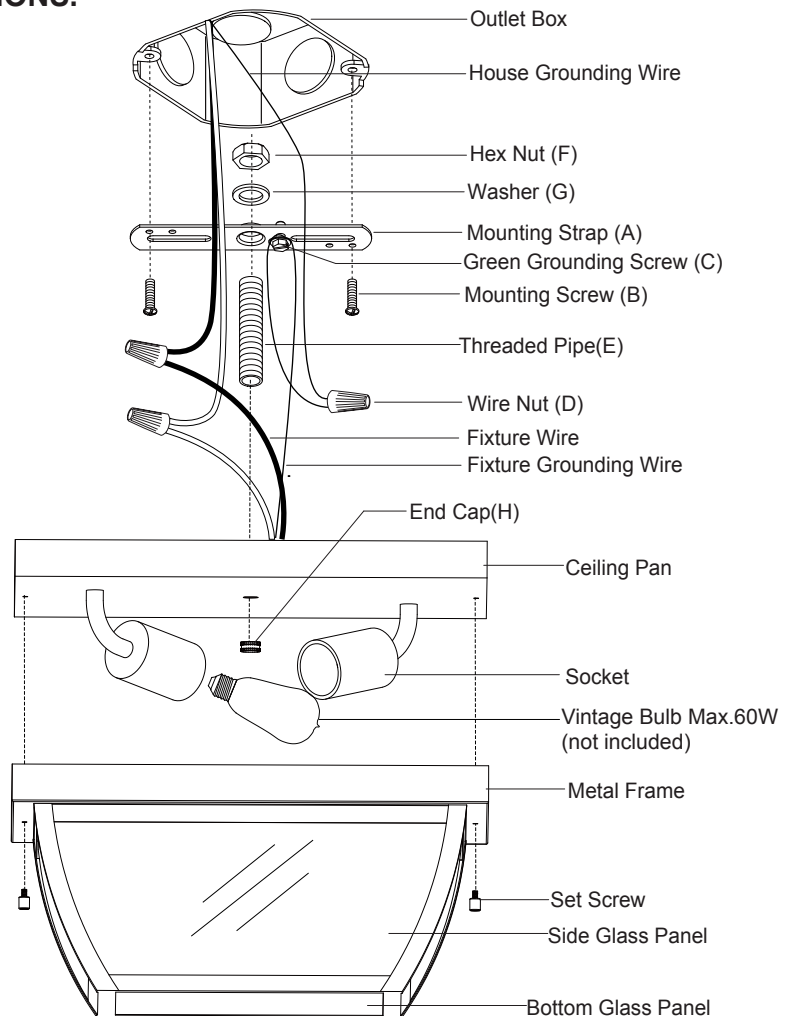
Turn off the power at fuse or circuit box.

1. Attach the threaded pipe to the mounting strap, and then secure it with a washer and a hex nut.
2. Attach mounting strap to the outlet box using two mounting screws.
3. Pull out the wires and grounding wire from the outlet box. Make wire connections using the wire nuts as follows:
 - Connect the hot wire (usually black insulation) from the fixture to the black wire from the power source.
 - Connect the neutral wire (usually white insulation) from the fixture to the white wire from the power source.
 - Attach the fixture grounding wire (usually green insulation or bare wire) to the mounting strap with the green grounding screw, and then connect it to the house grounding wire with the wire nut.

Carefully put the wires back into the outlet box.
4. Attach the ceiling pan to the mounting strap by inserting threaded pipe into the center holes of the ceiling pan and screw the end cap to secure ceiling pan.

NOTE:Depth of threaded pipe may need to be adjusted to properly fit end cap.
5. Install bulbs (not included). Check relamping label at socket area or packaging for maximum allowed wattage.
6. Attach the metal frame up to the ceiling pan by aligning two holes, and then secure it with two set screws.

Turn on the power at fuse or circuit box



The following parts are available for re-order if damaged or missing.

Spare Parts List:



Mounting Strap (A)



Mounting Screw (B)



Green Grounding
Screw (C)



Wire Nut (D)



Threaded Pipe (E)



Hex Nut (F)



Washer(G)

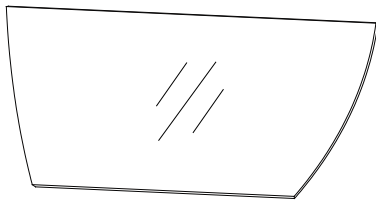


End Cap(H)

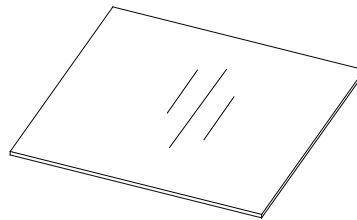
Assembly Kit
5483MM (1 SET)



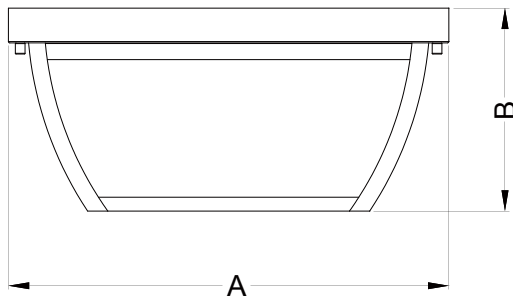
Set Screw
5485BB(2PCS)



Side Glass Panel
9792C(4PCS)



Bottom Glass Panel
9791C(1PC)



A: 12-1/2"

B: 5-3/4"