

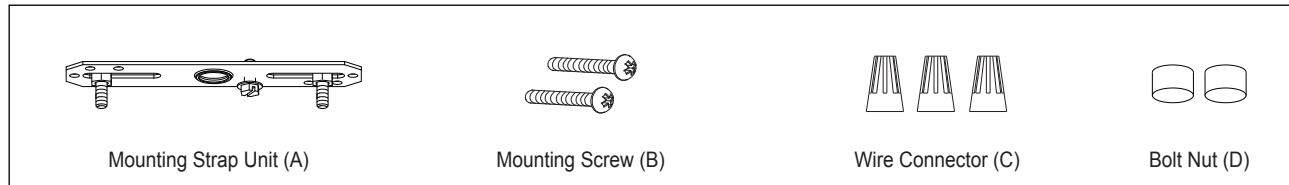
ASSEMBLY AND INSTALLATION INSTRUCTIONS

C0255

WARNING: TO AVOID RISK OF ELECTRICAL SHOCK, BE SURE TO SHUT OFF POWER BEFORE INSTALLING OR SERVICING THIS FIXTURE.

NOTES: 1. Before installing, consult local electrical codes for wiring and grounding requirements.
2. READ AND SAVE THESE INSTRUCTIONS.

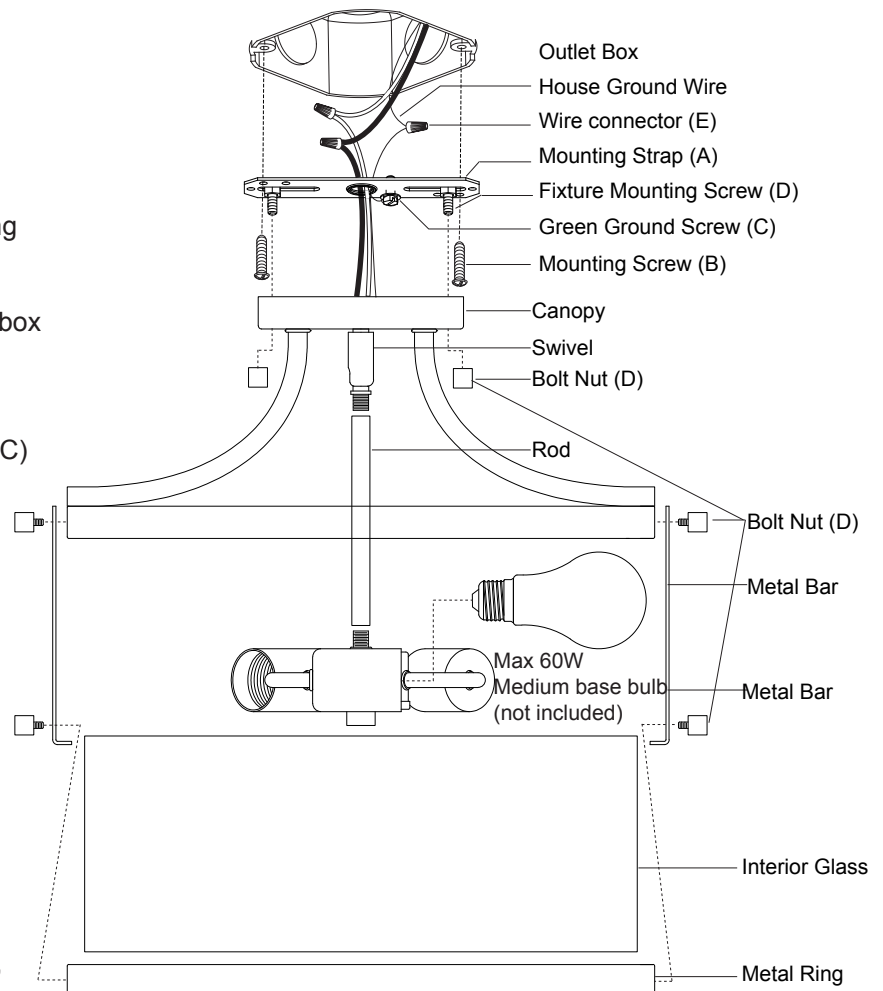
Hardware Package (included):



Installation Steps

Turn off the power at fuse or circuit box

1. Tighten the rod to the swivel.
2. Attach the two assembly screws to the mounting strap unit (A), and screw them in 2 to 3 turns.
3. Attach the mounting strap unit (A) to the outlet box using two mounting screws (B).
4. Pull out the source wires from the outlet box. Make wire connections using wire connectors (C) as follows:
 - Connect the hot wire (black insulation) from the fixture to the black wire from the power source.
 - Connect the neutral wire (white insulation) from the fixture to the white wire from the power source.
 - Attach the fixture ground wire (bare wire) to the mounting strap unit (A) with the green ground screw, and then connect it to the house ground wire with the wire connector (C).Carefully put the wires back into the outlet box.

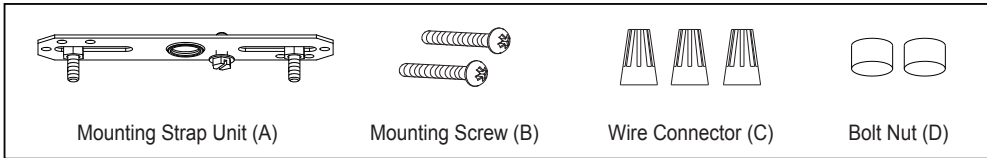


5. Attach the canopy to the mounting strap unit (A) by inserting two assembly mounting screws, and then secure it with two bolt nuts (D).
6. Put the interior glass in the metal ring, tighten with metal bar and then secure it with two bolt nuts (D).
7. Install 3 X 60W medium base bulbs (not included).
See relamping label at socket area or packaging for maximum wattage allowed.

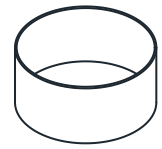
Turn on the power at fuse or circuit box

The following parts are available for re-order if damaged or missing.

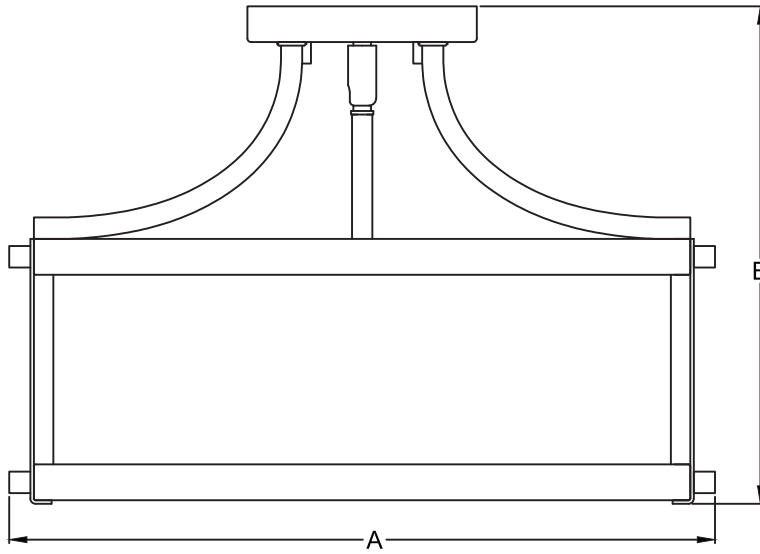
Spare Parts List:



Assembly Kit
6343MM (1 SET)



Glass Shade
9908CS



A: 15-3/4"
B: 11"