

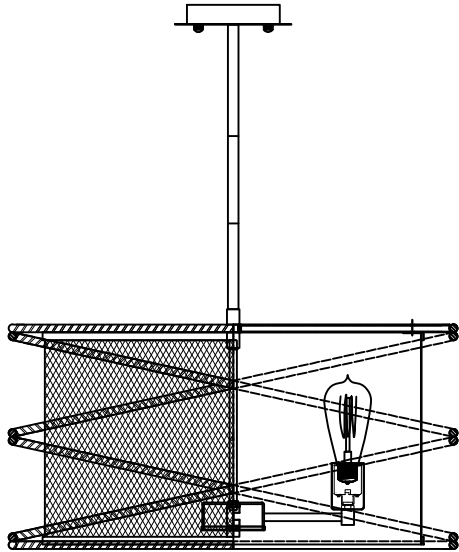
Trade Mark:  
CRYSTAL WORLD INC

Product Name: Pendant lamp


Model :9700P22-5

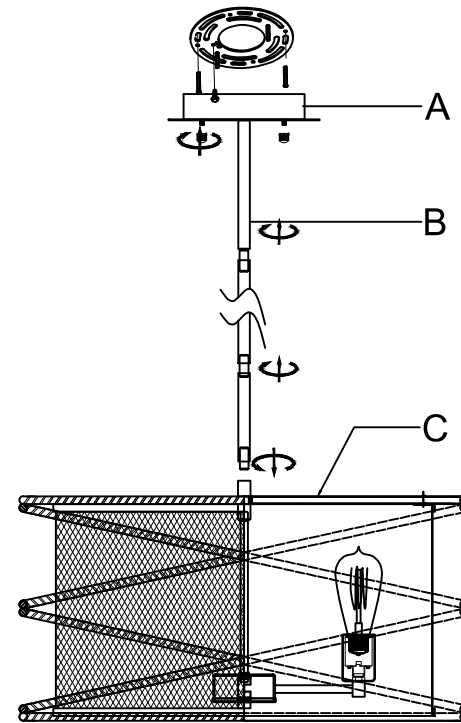
120Vac, 60Hz,AC ONLY

Lamp Size:D22"\*H12"



## PENDANT LAMP ASSEMBLY INSTRUCTIONS

1. Please fix part(A) with part(B),part(C) with part(B).
2. Install bulbs ( NOT INCLUDED).USE **120V E26**  **5\*40W Max.**



Intertek  
4006677