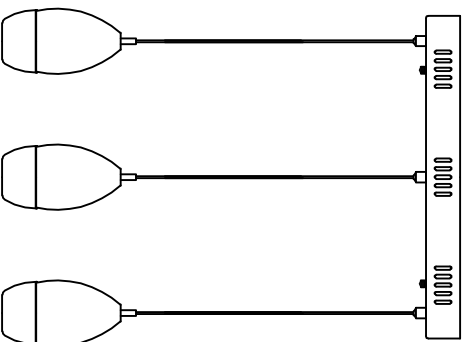


Trade Mark:
CRYSTAL WORLD INC

Product Name: Pendant lamp
Model :5077P16C-RC
120Vac, 60Hz,AC ONLY
Lamp Size:L16"W5"H6"-H48"

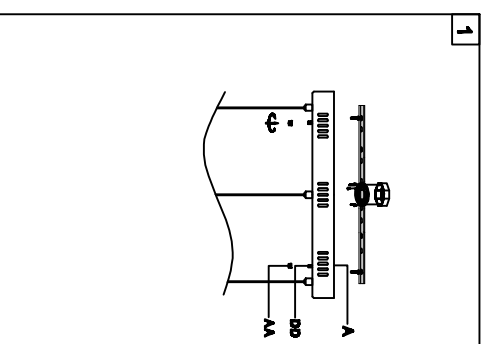


PENDANT LAMP ASSEMBLY INSTRUCTIONS

1. Place fixture(A) onto mounting screws (DD), secure with cap nuts (AA).

Hardware Used

AA Cap nut X 2
DD Mounting screw X 2



2. Install light bulbs (not included).

Use bulb

12V G4



3*20W Max.

