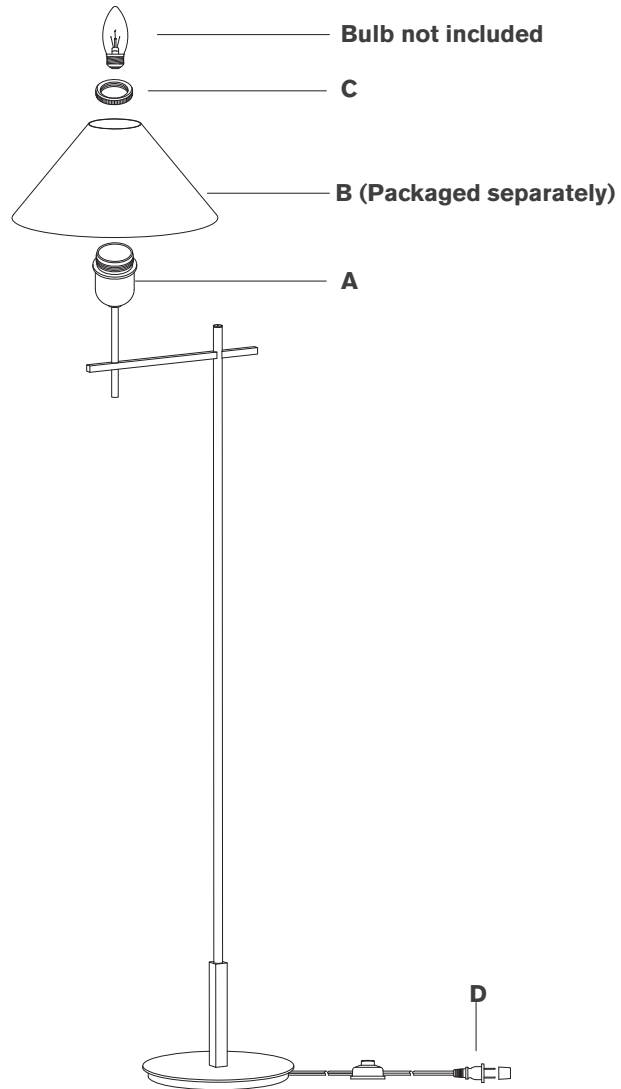


## ASSEMBLY INSTRUCTIONS

### Traditional Lighting Source Version



## Hackney Bridge Arm Floor Lamp

Item # SP1023

### NOTICE:

This light fixture should be installed in accordance with all applicable, local installation codes, and by a person familiar with the construction and operation of it, as well as the hazards involved. Inspect item and contents carefully. If any damage or defect is found, do not install. Retain all packaging material until installation is complete and approved.

### TOOLS REQUIRED (NOT INCLUDED):

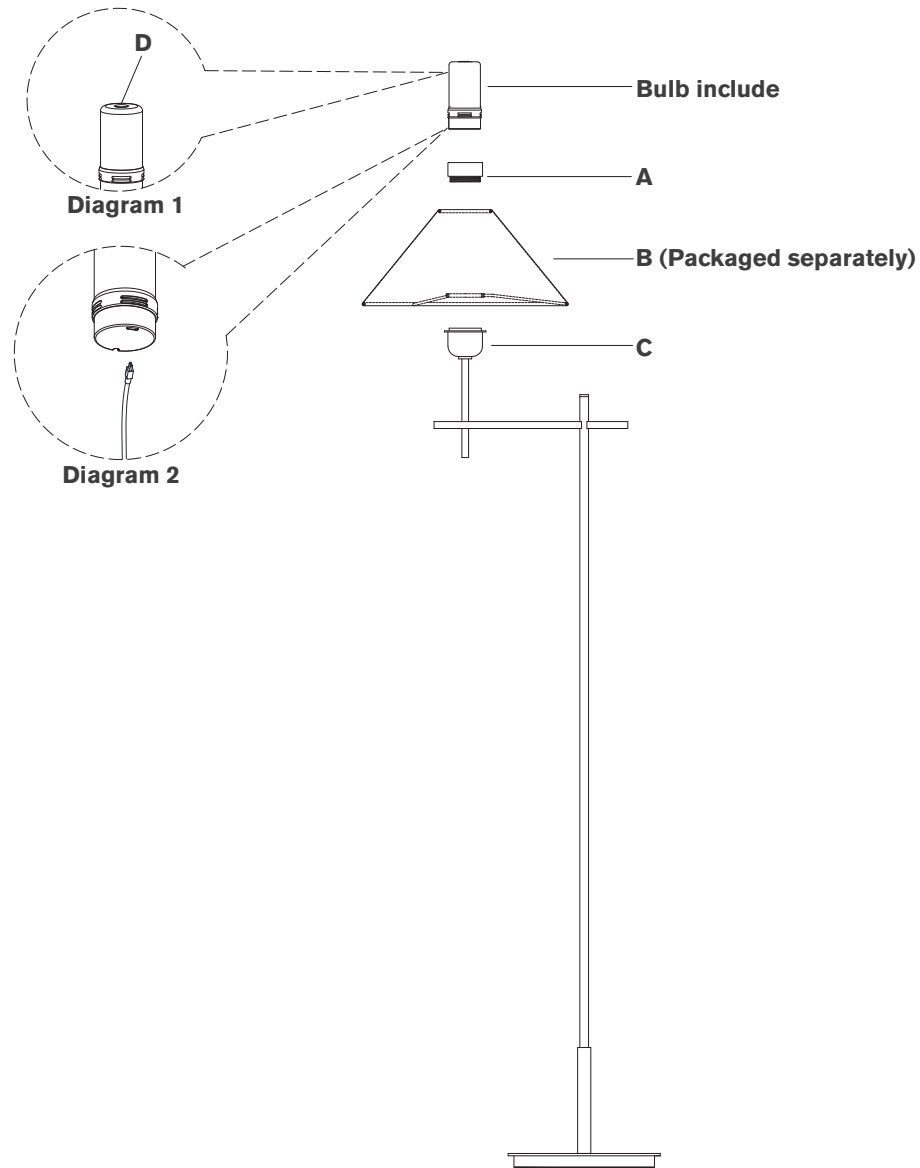
Scissors

1. Carefully remove all parts from the box. Place on a clean, soft surface.
2. Remove socket ring **(C)** from socket **(A)**.
4. Remove shade **(B)** from packaging and place on socket **(A)** by securing with socket ring **(C)**.  
**NOTE:** If shade has additional packaging, carefully cut off from interior of shade to avoid damages.
5. Install light bulb into the socket **(A)**.
6. Remove protective cover **(D)** from plug.
7. Plug into electrical outlet and test fixture.

**Care Instructions:** Clean only with a soft dry cloth or feather duster. Do not use abrasive or chemical agents.

## ASSEMBLY INSTRUCTIONS

### Cordless Version



## Hackney Cordless Bridge Arm Floor Lamp

Item # SP1023

### NOTICE:

This light fixture should be installed in accordance with all applicable, local installation codes, and by a person familiar with the construction and operation of it, as well as the hazards involved. Inspect item and contents carefully. If any damage or defect is found, do not install. Retain all packaging material until installation is complete and approved.

### TOOLS REQUIRED (NOT INCLUDED):

Scissors

1. Carefully remove all parts from the box. Place on a clean, soft surface.
2. Remove socket ring **(A)** from socket base **(C)**.
3. Remove shade **(B)** from packaging and install to socket base **(C)** and secure with socket ring **(A)**.

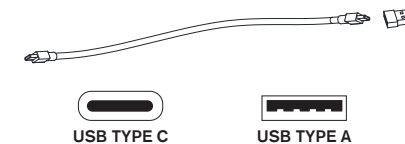
**NOTE:** If shade has additional packaging, carefully cut off from interior of shade to avoid damages.

4. Place LED light source into socket base **(C)**.
5. For best results fully charge battery before use.
6. Test the lamp.

**Dimmer switch operation:** Touch dimmer **(D)** to adjust between high, medium, low and off settings. See diagram 1.

**Charging Instructions:** Remove light source from lamp and charge using provided USB-C cord. See diagram 2.

**NOTE:** For convenience, USB-C to USB-A adapter is included.



**Care Instructions:** Clean only with a soft dry cloth or feather duster. Do not use abrasive or chemical agents.

VISUAL COMFORT

