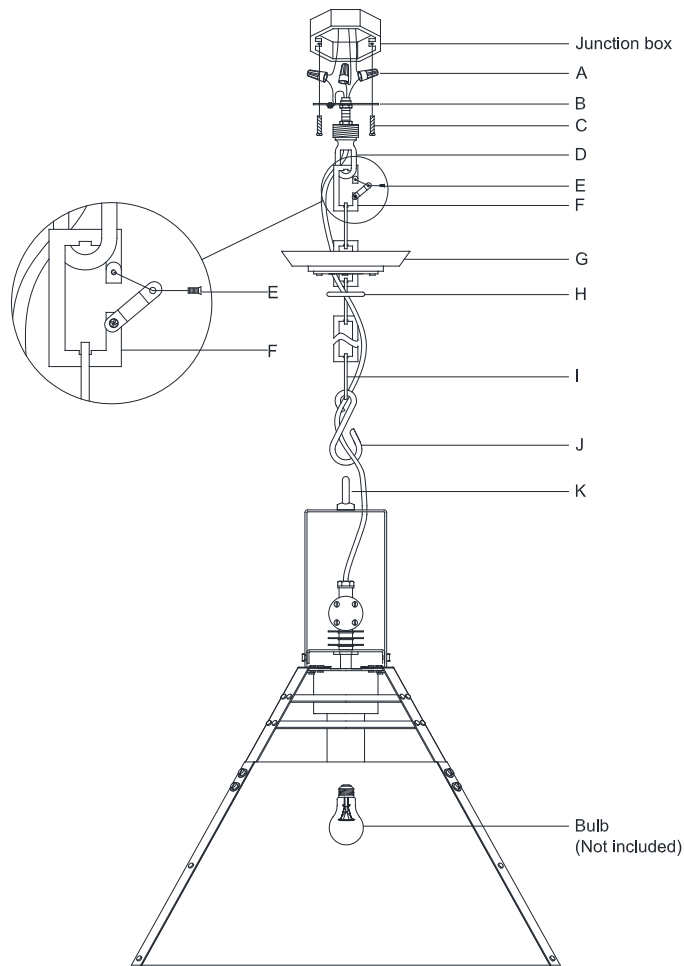


## ASSEMBLY INSTRUCTIONS



## Pierre Medium Pendant

Item # SK 5561

**WE RECOMMEND INSTALLATION OF THIS LIGHTING FIXTURE BE DONE BY A LICENSED ELECTRICIAN.**

**WARNING\*\*\*SWITCH OFF THE MAIN ELECTRICAL SUPPLY FROM THE MAIN FUSE BOX/CIRCUIT BREAKER BEFORE INSTALLATION.**

**INSPECT ITEM CAREFULLY BEFORE ATTEMPTING TO INSTALL. IF THERE IS ANY DAMAGE OR OBVIOUS DEFECT. DO NOT INSTALL.**

**ITEM MAY NOT BE RETURNED ONCE IT HAS BEEN INSTALLED.**

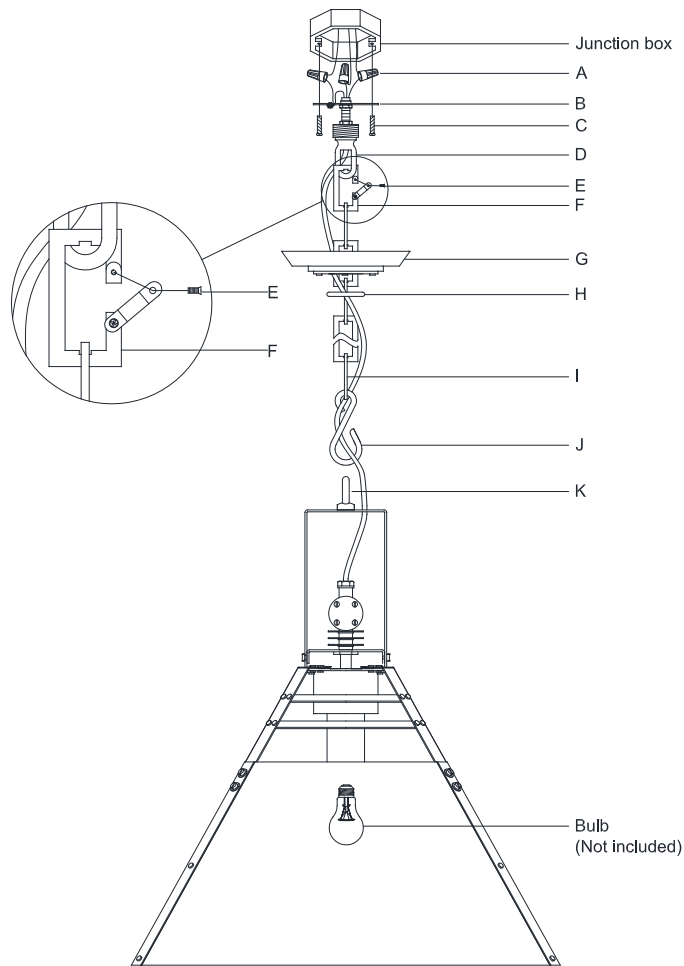
**NOTE: CAREFULLY UNPACK EACH PIECE IN TOP LAYER OF PACKING PRIOR TO REMOVING. RETAIN ALL PACKING MATERIAL UNTIL INSPECTION AND INSTALLATION ARE FINAL.**

1. Carefully remove all parts from the box.
  2. Install the mounting plate (B) and collar loop (D) to the junction box with mounting screws (C) provided. Using a wrench (not provided) secure the mounting plate (B) and collar loop (D) to the threaded nipple using provided hex nuts.
  3. Install the canopy (G) to collar loop (D) and secure with collar ring (H). If needed, adjust canopy height by loosening hex nuts and screwing collar loop (D) up or down then re-secure.
  4. Open the chain quick link (F) at collar loop (D) by removing top screw (E) and remove chain (I).
  5. With the fixture desired height, shorten the chain (I) as needed using the chain pliers (not included).
  6. Attach the chain (I) to collar loop (D) using the quick link (F), secure the screw (E).
  7. Hang the fixture top loop (K) to the hook (J) on the chain (I).
  8. Weave the fixture wires through the chain (I).
  9. When you reach the canopy (G) and collar loop (D), measure the wires then cut. Be certain to leave enough to connect the wires in the junction box.
  10. Strip the insulation on the fixture wires about 5/8".
  11. Loosen the collar ring (H) and let the canopy (G) slip down the chain (I) carefully.
  12. Twist the fixture wires together and push through the center hole of the collar loop (D).
  13. Wrap the fixture ground wire to the green ground screw on the mounting plate (B) and secure, then connect to the ground wire in the junction box using the wire nut (A).
- IT IS IMPERATIVE THAT THIS FIXTURE BE GROUNDED.



VISUAL COMFORT & Co.

## ASSEMBLY INSTRUCTIONS



### Pierre Medium Pendant

Item # SK 5561

**WE RECOMMEND INSTALLATION OF THIS LIGHTING FIXTURE BE DONE BY A LICENSED ELECTRICIAN.**

**WARNING\*\*\*SWITCH OFF THE MAIN ELECTRICAL SUPPLY FROM THE MAIN FUSE BOX/CIRCUIT BREAKER BEFORE INSTALLATION.**

**INSPECT ITEM CAREFULLY BEFORE ATTEMPTING TO INSTALL. IF THERE IS ANY DAMAGE OR OBVIOUS DEFECT. DO NOT INSTALL.**

**ITEM MAY NOT BE RETURNED ONCE IT HAS BEEN INSTALLED.**

**NOTE: CAREFULLY UNPACK EACH PIECE IN TOP LAYER OF PACKING PRIOR TO REMOVING. RETAIN ALL PACKING MATERIAL UNTIL INSPECTION AND INSTALLATION ARE FINAL.**

14. Connect the fixture ribbed wire (no markings) to the neutral wire in the junction box using the wire nut (A).

15. Connect the fixture smooth wire (with markings) to the hot wire in the junction box using the wire nut (A).

DO NOT REVERSE THE HOT AND NEUTRAL CONNECTIONS OTHERWISE SAFETY WILL BE COMPROMISED.

16. Tuck these wire connections neatly into the junction box carefully.

17. Install the canopy (G) to the junction box and secure with the collar ring (H).

18. Insert bulb (not included) into the socket.

19. Installation is complete, turn on power at fuse or circuit breaker.

\*\*\*Clean with a dry, soft cloth only. Use no harsh abrasives or chemical agents.



VISUAL COMFORT & Co.