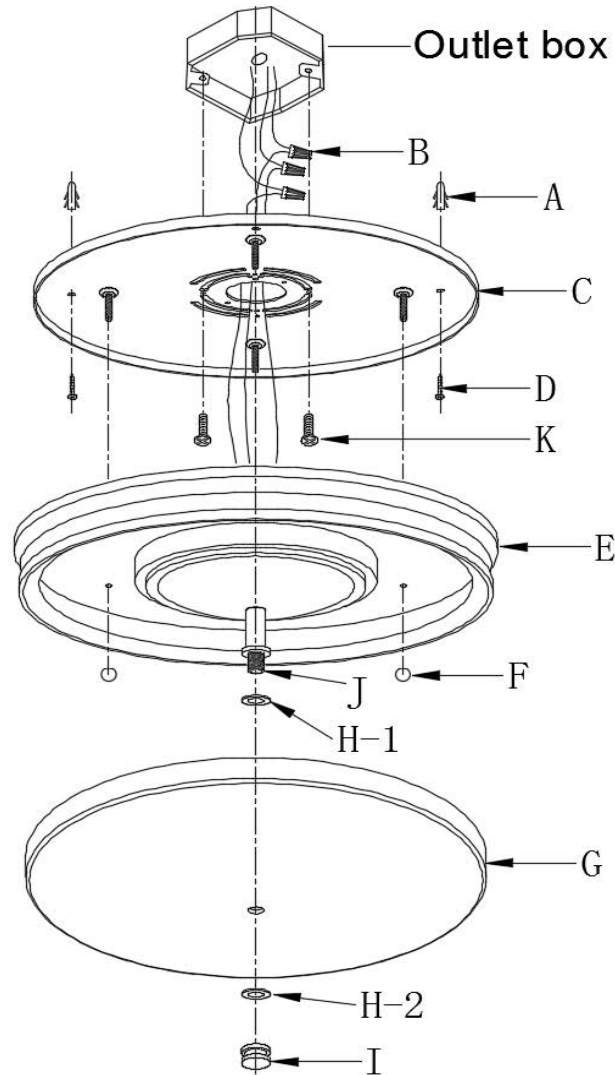


ASSEMBLY INSTRUCTIONS



Launceton Medium Flush Mount Item # CHC 4603

WE RECOMMEND INSTALLATION OF THIS LIGHTING FIXTURE BE DONE BY A LICENSED ELECTRICIAN.

WARNING***SWITCH OFF THE MAIN ELECTRICAL SUPPLY FROM THE MAIN FUSE BOX/CIRCUIT BREAKER BEFORE INSTALLATION.

INSPECT ITEM CAREFULLY BEFORE ATTEMPTING TO INSTALL. IF THERE IS ANY DAMAGE OR OBVIOUS DEFECT. DO NOT INSTALL.

ITEM MAY NOT BE RETURNED ONCE IT HAS BEEN INSTALLED.

NOTE: CAREFULLY UNPACK EACH PIECE IN TOP LAYER OF PACKING PRIOR TO REMOVING. RETAIN ALL PACKING MATERIAL UNTIL INSPECTION AND INSTALLATION ARE FINAL.

1. Carefully remove all parts from the box.
2. Remove the mounting plate (C) from the fixture(E) by removing the ball nuts (F).
3. Put mounting plate(C) flush on the ceiling and marked the point for anchor(A),drill 4 holes on ceiling,then knock the anchors(A) to the ceiling holes.
4. Install the mounting plate(C) to the outlex box with the mounting screw(K) and wood screws(D)provided.
5. Connect ground wire from the light fixture (bare copper) to ground wire from ceiling outlet Box (usually green or copper in color).
6. Connect the hot wire (BLACK)from the fixture to the hot wire from ceiling outlet box (usually BLACK). Fasten them together with a plastic wire connector provided.
7. Repeat this procedure for the neutral wire (WHITE) from the light fixture to the wire from ceiling Outlet box(usually WHITE).

DO NOT REVERSE THE HOT AND NEUTRAL CONNECTIONS, OR SAFETY WILL BE COMPROMISED.

IT IS IMPERATIVE THAT THIS FIXTURE BE GROUNDED.

8. Tuck these wire connections neatly into the ceiling outlet box.
9. Install the fixture(E) to the mounting plate(C) with ball nuts(F) provided.
10. Through the rubber washer(H-1) to nipple of thread(J), install the glass shade(G) to the thread(J),then through the rubber washer(H-2) to the nipple of thread(J), and then secure with the finial(I).
11. Installation is complete, turn on power at fuse or circuit breaker.

***Clean with a dry, soft cloth only. Use no harsh abrasives or chemical agents.

