



Ceiling Fan Installation Manual



93099650_B

P2594

Limited Lifetime Warranty

Progress Lighting fan motors are warranted to the original purchaser to be free of electrical and/or mechanical defects for so long as the original purchaser owns the fan. Pull chain switches, reverse switches, capacitors and metal finishes are warranted to be free from defects in materials or workmanship for a period of 1 year from the date of purchase. Warping of wooden or plastic blades is not covered by this warranty nor is corrosion and/or deterioration of any finishes for fans installed within ten miles of any sea coast. Extended warranties for ENERGY STAR® qualified products may apply.

Progress Lighting ceiling fans with built-in LED light sources, when properly installed and under normal conditions of use, are warranted to be free from defects in material and workmanship which cause the light sources to fail to operate in accordance with the specifications for (i) five (5) years from the date of purchase on the LED Light modules and electrical components for fans used in single family residences, and (ii) three (3) years from the date of purchase on the LED Light modules and electrical components for fans used in multi-family or commercial applications. LED bulbs supplied by Progress Lighting carry no warranty other than manufacturer's warranty. Non-LED bulbs carry no warranty.

With proof of purchase, the original purchaser may return the defective fan to the place of purchase during the first 30 days for replacement. After 30 days, the original purchaser MUST contact Progress Lighting at (864) 678-1000 for repair or replacement which shall be determined in Progress Lighting's sole discretion and shall be purchaser's sole and exclusive remedy.

Labor and Shipping Excluded. This warranty does not cover any costs or fees associated with the labor (including, but not limited to, electrician's fees) required to install, remove, or replace a fan or any fan parts.

This warranty shall not apply to any loss or damage resulting from (i) normal wear and tear or alteration, misuse, abuse or neglect, or (ii) improper installation, operation, repair or maintenance by original purchaser or a third party, including without limitation improper voltage supply or power surge, use of improper parts or accessories, unauthorized repair (made or attempted) or failure to provide maintenance to the fan.

THE FOREGOING WARRANTIES STATE PROGRESS LIGHTING'S ENTIRE WARRANTY OBLIGATION AND ORIGINAL PURCHASER'S SOLE AND EXCLUSIVE REMEDY RELATED TO SUCH PRODUCTS. PROGRESS LIGHTING IS NOT RESPONSIBLE FOR DAMAGES (INCLUDING INDIRECT, SPECIAL, INCIDENTAL OR CONSEQUENTIAL), DUE TO PRODUCT FAILURE, WHETHER ARISING OUT OF BREACH OF WARRANTY, BREACH OF CONTRACT, OR OTHERWISE. THIS WARRANTY IS GIVEN IN LIEU OF ALL OTHER WARRANTIES, WHETHER EXPRESSED OR IMPLIED, INCLUDING THOSE OF MERCHANTABILITY, FITNESS FOR A PARTICULAR PURPOSE OR NONINFRINGEMENT.

Some states do not allow limitations on how long an implied warranty lasts or the exclusion or limitations of incidental or consequential damages, so the above limitations and exclusions may not apply to you. This warranty gives you specific rights and you may have other rights which vary from state to state.

Date Purchased _____

Store Purchased _____

Model No. _____

Serial No. _____

Vendor No. _____ 109226

785247230310

UPC 785247230327



Safety Rules.....	1.
Unpacking Your Fan	2.
Installing Your Fan	3.
Operating Your Transmitter	7.
Care of Your Fan	9.
Troubleshooting	10.
Specifications	11.

Table of Contents

1. To reduce the risk of electric shock, insure electricity has been turned off at the circuit breaker or fuse box before beginning.
2. All wiring must be in accordance with the National Electrical Code and local electrical codes. Electrical installation should be performed by a qualified licensed electrician.
3. **WARNING:** To reduce the risk of electrical shock and fire, do not use this fan with any solid-state fan speed control device.
4. **WARNING:** To reduce the risk of fire, electric shock, or personal injury, mount to outlet box marked "Acceptable for Fan Support of 15.9 kg (35 lbs.) Or Less" and use mounting screws provided with the outlet box. Most outlet boxes commonly used for the support of light fixtures are not acceptable for fan support and may need to be replaced. Due to the complexity of the installation of this fan, a qualified licensed electrician is strongly recommended.
8. To avoid personal injury or damage to the fan and other items, be cautious when working around or cleaning the fan.
9. Do not use water or detergents when cleaning the fan or fan blades. A dry dust cloth or lightly dampened cloth will be suitable for most cleaning.
10. After making electrical connections, spliced conductors should be turned upward and pushed carefully up into the outlet box. The wires should be spread apart with the grounded conductor and the equipment-grounding conductor on one side of the outlet box.
11. Electrical diagrams are for reference only. Light kits that are not packed with the fan must be cUL Listed and marked suitable for use with the model fan you are installing. Switches must be cUL General Use Switches. Refer to the Instructions packaged with the light kits

WARNING

TO REDUCE THE RISK OF FIRE, ELECTRIC SHOCK OR PERSONAL INJURY, MOUNT FAN TO OUTLET BOX MARKED ACCEPTABLE FOR FAN SUPPORT.

5. The outlet box and support structure must be securely mounted and capable of reliably supporting a minimum of 35 lbs (15.9 kg) or less. Use only cUL-listed outlet boxes marked **FOR FAN SUPPORT**.
6. The fan must be mounted with a minimum of 7 ft (2.1m) clearance from the bottom of the fan guard to the floor.
7. Avoid placing objects in the path of the blades.

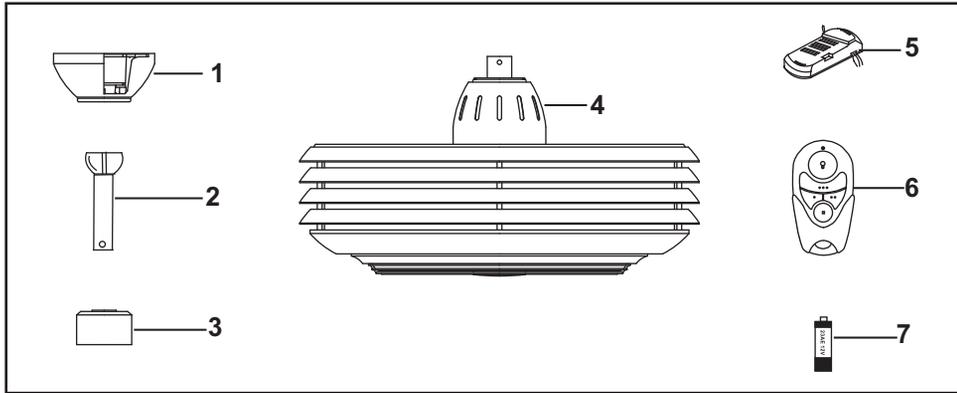
WARNING

TO REDUCE THE RISK OF PERSONAL INJURY, DO NOT BEND THE BLADE ARMS (ALSO REFERRED TO AS BRACKETS) DURING ASSEMBLY OR AFTER INSTALLATION. DO NOT INSERT OBJECTS IN THE PATH OF THE BLADES.

NOTE

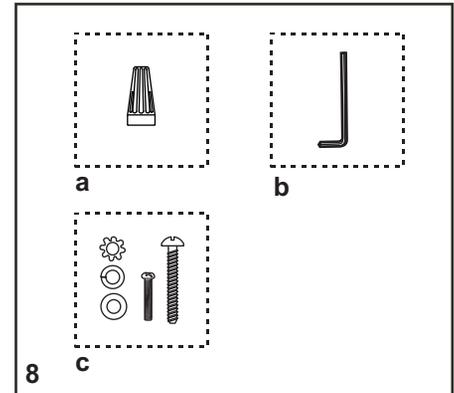
READ AND SAVE ALL INSTRUCTIONS!

1. Safety Rules



Unpack your fan and check the contents. You should have the following items:

- | | |
|--------------------------|--|
| 1. Canopy assembly | 5. Receiver with 6 wire nuts |
| 2. Ball/downrod assembly | 6. Transmitter incl. 2 mounting screws |
| 3. Coupling cover | 7. 12V MN21/A23 battery |
| 4. Fan motor assembly | |



8. Loose parts bag containing:

- a. Mounting hardware
Wire nuts (3)
- b. Blade attachment hardware
Allen wrench
- c. Mounting bracket hardware
Screws (2), Wood screws (2)
Star washers (2), Lock washers (2),
Flat washers (2)

Unpacking Your Fan 2.

Tools Required

Phillips screw driver, straight slot screw driver, adjustable wrench, step ladder, and wire cutters.

Mounting Options

If there isn't an existing cUL listed mounting box, then read the following instructions. Disconnect the power by removing fuses or turning off circuit breakers.

Secure the outlet box directly to the building structure. Use appropriate fasteners and building materials. The outlet box and its support must be able to fully support the moving weight of the fan (at least 35 lbs). Do not use plastic outlet boxes.

WARNING

TO REDUCE THE RISK OF FIRE, ELECTRIC SHOCK, OR OTHER PERSONAL INJURY, MOUNT FAN ONLY TO AN OUTLET BOX MARKED ACCEPTABLE FOR FAN SUPPORT AND USE THE MOUNTING SCREWS PROVIDED WITH THE OUTLET BOX. OUTLET BOXES COMMONLY USED FOR THE SUPPORT OF LIGHTING FIXTURES MAY NOT BE ACCEPTABLE FOR FAN SUPPORT AND MAY NEED TO BE REPLACED. CONSULT A QUALIFIED ELECTRICIAN IF IN DOUBT.

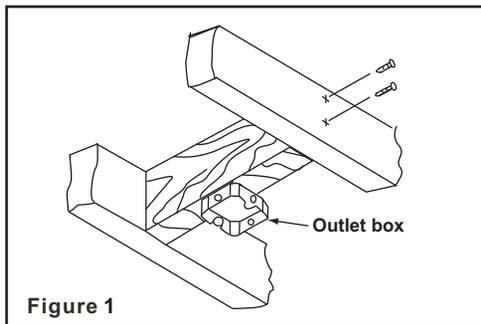


Figure 1

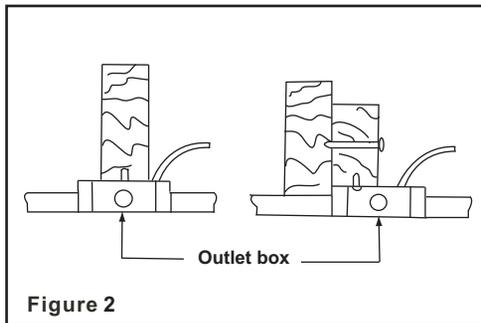


Figure 2

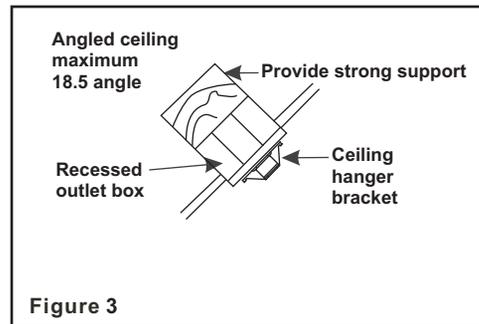


Figure 3

Note: You may need a longer downrod to maintain proper clearance when installing on a steep, sloped ceiling.

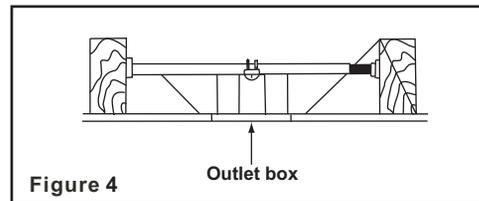


Figure 4

To hang your fan where there is an existing fixture but no ceiling joist, you may need an installation hanger bar as shown in Figure 4 (available at your Progress Lighting Retailer).

3. Installing Your Fan

Hanging the Fan

REMEMBER to turn off the power. Follow the steps below to hang your fan properly:

Step 1. Remove the decorative canopy bottom cover from the canopy by turning the cover counter clockwise.(Fig. 5)

Step 2. Remove the mounting bracket from the canopy by removing the 1 of 2 screws from the bottom of the mounting bracket and loosening the other one a half turn from the screw head. Next, turn the canopy counter clockwise to removing the mounting bracket from the canopy. (Fig. 5)

Step 3. Pass the 120-volt supply wires through the center hole in the ceiling hanger bracket as shown in Fig. 6.

Step 4. Secure the hanger bracket to the ceiling outlet box with the screws and washers provided with your outlet box.

Step 5. Remove the hanger pin, lock pin and set screws from the top of the motor assembly. (Fig. 7)

Step 6. Route the safety cable and wires exiting from the top of the fan motor through the collar cover, canopy cover, canopy and then through the ball / downrod. (Fig. 7)

Step 7. Align the holes at the bottom of the downrod with the holes in the collar on top of

the motor housing (Fig. 7). Carefully insert the hanger pin through the holes in the collar and downrod. Be careful not to jam the pin against the wiring inside the downrod. Insert the locking pin through the hole near the end of the hanger pin until it snaps into its locked position, as noted in the circle inset of Fig. 7.

WARNING
FAILURE TO PROPERLY INSTALL
LOCKING PIN AS NOTED IN STEP 7
COULD RESULT IN FAN LOOSENING AND
POSSIBLY FALLING.

Step 8. Tighten two set screws on top of the fan motor firmly. (Fig. 7)

Step 9. Place the downrod ball into the hanger bracket socket.

Step 10. Secure the safety cable to the building structure with a wood screw. (wood screw not supplied)

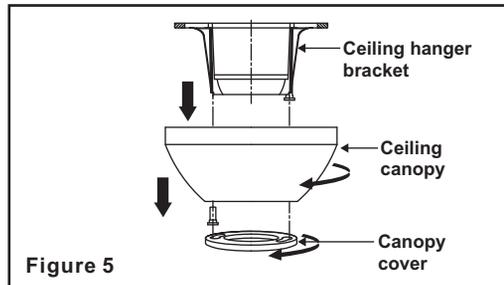


Figure 5

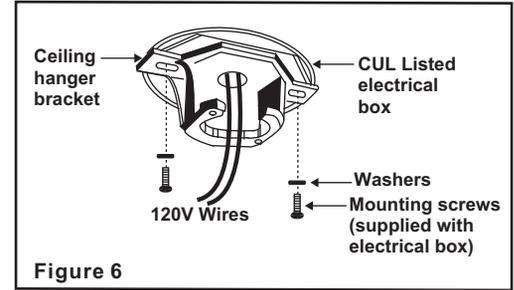


Figure 6

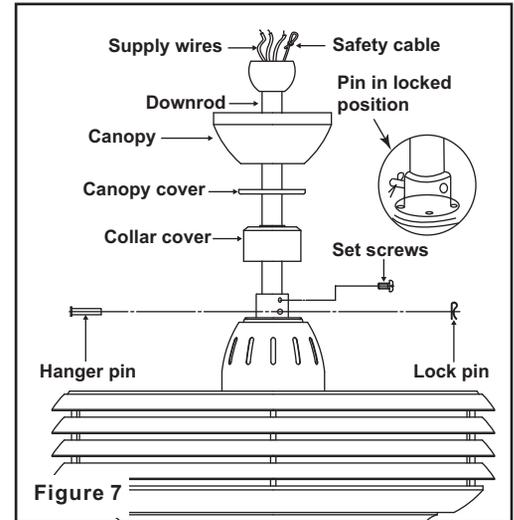


Figure 7

Make the Electric Connections

WARNING: To avoid possible electrical shock, be sure electricity is turned off at the main fuse box before wiring.

NOTE: This remote control unit is equipped with 16 code combinations to prevent possible interference from or to other remote units. The frequency switches on your receiver and transmitter have been preset at the factory. Please recheck to make sure the switches on the transmitter and the receiver are set to the same position, any combination of settings will operate the fan as long as the transmitter and receiver are set to the same position.(Fig. 8)

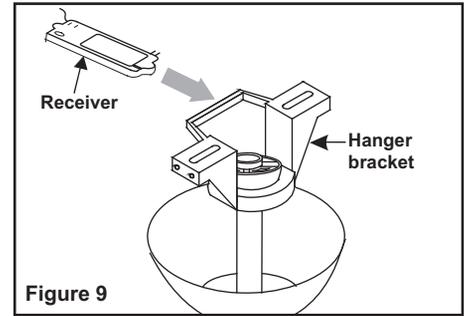
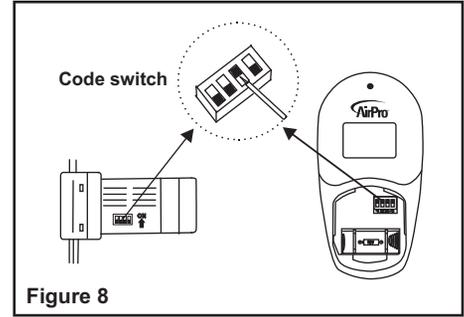
Step 1. (Fig. 9) Insert the receiver into the mounting bracket with the flat side of the receiver facing the ceiling.

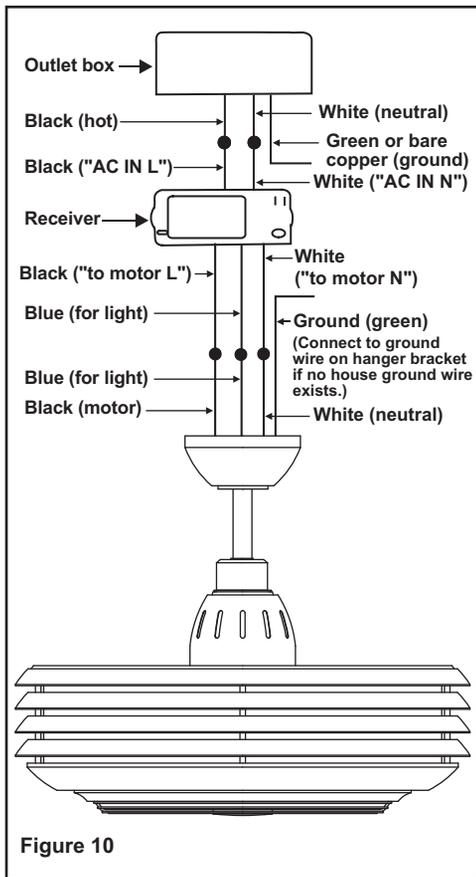
Step 2. (Fig. 10) Motor to Receiver Electrical Connections: Connect the Black wire from the fan to Black wire marked "TO MOTOR L". Connect the White wire from the fan to the White wire marked "TO MOTOR N" from the receiver. Connect the blue (light) wire to the blue wire from the Receiver. Secure wire connections with the plastic wire nuts provided.

Step 3. (Fig. 10) Receiver to House Supply Wires Electrical Connections: Connect the black (hot) wire from the ceiling to the black wire marked "AC in L" from the receiver. Connect the white (neutral) wire from the ceiling to the white wire marked "AC in N" from the Receiver. Secure the wire connections with the plastic wire nuts provided.

Step 4. (Fig. 10) If your outlet box has a ground wire (green or bare copper) connect it to the fan ground wires; otherwise connect the hanging bracket ground wire to the mounting bracket. Secure the wire connection with a plastic nut provided. After connecting the wires spread them apart so that the green and white wires are on one side of the outlet box and black and blue wires are on the other side. Carefully tuck the wire connections up into the outlet box.

NOTE: Fan must be installed at a maximum distance of 20 feet from the transmitting unit for proper signal transmission between the transmitting unit and the fan's receiving unit.





Finishing the Installation

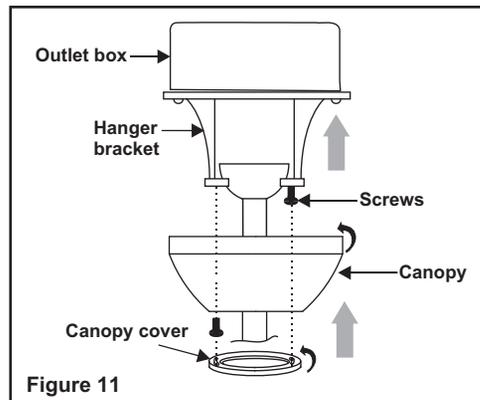
Step 1. Tuck connections neatly into ceiling outlet box.

Step 2. Slide the canopy up to mounting bracket and place the key hole on the canopy over the screw on the mounting bracket, turn canopy until it locks in place at the narrow section of the key holes. (Fig. 11)

Step 3. Align the circular hole on canopy with the remaining hole on the mounting bracket, secure by tightening the two set screws. Note: Adjust the canopy screws as necessary until the canopy and canopy cover are snug.

WARNING

Make sure the notch on the hanging bracket properly sits in the groove in the hanger ball before attaching the canopy to the bracket by turning the housing until it drops into place.



Installing the battery

Install 12V MN21/A23 battery (included), to prevent damage to transmitter, remove the battery if not used for long periods.

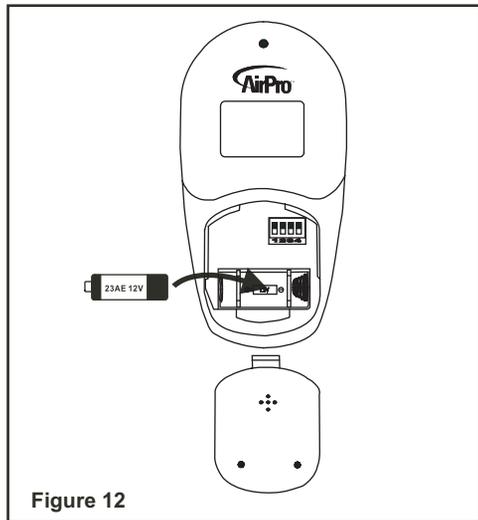


Figure 12

Restore power to ceiling fan and test for proper operation.

1. " ●, ●●, ●●● " buttons:

These three buttons are used to set the fan speed as follows:

- = Low speed
- = Medium speed
- = High speed

2. " ■ " button:

This button turns the fan off.

3. The "  " button turns the light ON or OFF and also controls the brightness setting. Press and release the button to turn the light ON or OFF. Press and hold the button to set the desired brightness. The light key has an auto-resume, it will stay at the same brightness as the last time it was turned off.

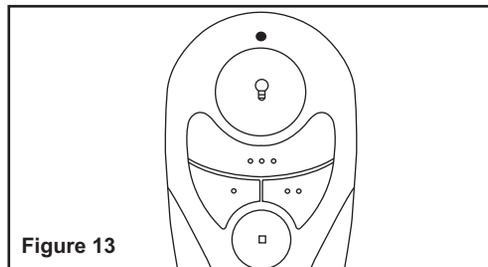


Figure 13

The Reverse switch is located on the motor housing. Slide the switch to the Left for warm weather operation. Slide the switch to the Right for cool weather operation.

NOTE: Wait for fan to stop before changing the setting of the slide switch.

Speed settings for warm or cool weather depend on factors such as the room size, ceiling height, number of fans, etc.

Warm weather - (Forward) A downward air flow creates a cooling effect as shown in Figure 14. This allows you to set your air conditioner on a higher setting without affecting your comfort.

Cool weather - (Reverse) An upward airflow moves warm air off the ceiling area as shown in Figure 15. This allows you to set your heating unit on a lower setting without affecting your comfort.

7. Operating Your Transmitter

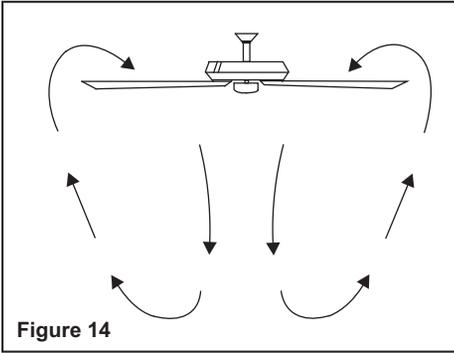


Figure 14

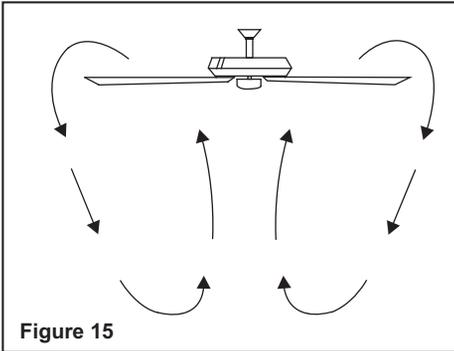


Figure 15

Disassembling Your Fan

This fan comes with a pre-assembled the blade and front guard for your easy installation. Check that all screws are tight and securely in place.

If you need to disassemble the fan for any reason such as cleaning, please take off the four guard setscrews and to secure the screws after cleaning the blades. (Fig. 16)

Use a lint free lightly damp cloth or duster to remove dust from the blades.

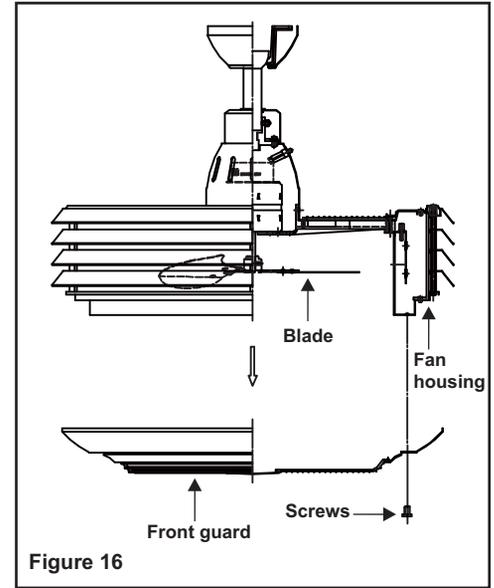


Figure 16

Here are some suggestions to help you maintain your fan

1. Because of the fan's natural movement, some connections may become loose. **Check the support connections, brackets, and blade attachments twice a year.** Make sure they are secure. **(It is not necessary to remove fan from ceiling.)**

2. Clean your fan periodically to help maintain its new appearance over the years. Use only a soft brush or lint-free cloth to avoid scratching the finish. The plating is sealed with a lacquer to minimize discoloration or tarnishing. Do not use water when cleaning. This could damage the motor, or the wood, or possibly cause an electrical shock.

3. You can apply a light coat of furniture polish to the wood blades for additional protection and enhanced beauty. Cover small scratches with a light application of shoe polish.

4. **There is no need to oil your fan.** The motor has permanently lubricated bearings.

IMPORTANT
MAKE SURE THE POWER IS OFF AT THE
ELECTRICAL PANEL BOX BEFORE YOU
ATTEMPT ANY REPAIRS. REFER TO THE
SECTION "MAKING ELECTRICAL
CONNECTIONS"

9. Care of Your Fan

Problem

Solution

Fan will not start.

1. Check circuit fuses or breakers.
2. Check line wire connections to the fan and switch wire connections in the switch housing.
CAUTION: Make sure main power is off.
3. Check to make sure the dip switches from the transmitter and receiver are set to the same frequency.

Fan sounds noisy.

1. Make sure all motor housing screws are snug.
2. Make sure the screws that attach the fan blade bracket to the motor hub is tight.
3. Make sure wire nut connections are not rubbing against each other or the interior wall of the switch housing.
CAUTION: Make sure main power is off.
4. Allow a 24-hour "breaking-in" period. Most noise associated with a new fan disappear during this time.
5. If using an optional light kit, make sure the screws securing the lampshade are tight. Check that light bulb is also secure.
6. Some fan motors are sensitive to signals from solid-state variable speed controls. If you have installed this type of control, choose and install another type of control.
7. Make sure the upper canopy is a short distance from the ceiling. It should not touch the ceiling.

Remote control
malfunction

1. Do not connect the fan with wall mounted variable speed control (s).
2. Make sure the dip switches are set correctly.

Troubleshooting 10.

Fan Size	Speed	Volts	Amps	Watts	RPM	CFM	N.W.	G.W.	C.F.
23"	Low	120	0.25	19.64	900	619.17	28.66 lbs	37.04 lbs	6.08'
	High	120	0.31	37	1475	1008.99			

These are approximate measures. They do not include Amps and Wattage used by the light kit.

This device complies with part 15 of the FCC Rules. Operation is subject to the following two conditions: (1) This device may not cause harmful interference, and (2) this device must accept any interference received, including interference that may cause undesired operation.

Warning: Changes or modifications to this unit not expressly approved by the party responsible for compliance could void the user's authority to operate the equipment.

NOTE: This equipment has been tested and found to comply with the limits for a Class B digital device, pursuant to Part 15 of the FCC Rules. These limits are designed to provide reasonable protection against harmful interference in a residential installation. This equipment generates, uses and can radiate radio frequency energy and, if not installed and used in accordance with the instructions, may cause harmful interference to radio communications.

However, there is no guarantee that interference will not occur in a particular installation. If this equipment does cause harmful interference to radio or television reception, which can be determined by turning the equipment off and on, the user is encouraged to try to correct the interference by one or more of the following measures:

- Reorient or relocate the receiving antenna.
- Increase the separation between the equipment and receiver.
- Connect the equipment into an outlet on a circuit different from that to which the receiver is connected.
- Consult the dealer or an experienced radio/TV technician for help.

11. Specifications

©2020 Progress Lighting, Inc.
701 Millennium Blvd.,
Greenville, SC 29607
All Rights Reserved

Manuel d'installation du ventilateur de plafond



Garantie limitée à vie

Progress Lighting garantit à l'acheteur initial que les moteurs de ventilateur sont exempts de défauts électriques ou mécaniques tant que l'acheteur initial est propriétaire du ventilateur. Les interrupteurs à chaîne, les interrupteurs inverseurs, les condensateurs et les finis métalliques sont garantis contre les défauts de matériaux ou de fabrication pendant une période d'un an à partir de la date d'achat. Le gauchissement des pales de bois ou de plastique n'est pas couvert par la présente garantie, ni la corrosion ou la détérioration du fini des ventilateurs installés à moins de dix milles d'un bord de mer. Les garanties prolongées pour les produits homologués ENERGY STAR® peuvent s'appliquer.

Lorsqu'ils sont installés correctement et dans des conditions d'utilisation normales, les ventilateurs de plafond Progress Lighting dotés d'une source lumineuse à DEL intégrée sont garantis contre les défauts de matériaux et de fabrication causant le non fonctionnement de la source lumineuse selon les spécifications pendant (i) cinq (5) ans à partir de la date d'achat des modules d'éclairage à DEL et des composants électriques des ventilateurs pour les résidences unifamiliales et (ii) trois (3) ans à partir de la date d'achat des modules d'éclairage à DEL et des composants électriques des ventilateurs pour les résidences multifamiliales et pour les utilisations commerciales. Les ampoules à DEL fournies par Progress Lighting ne sont assorties d'aucune autre garantie que celle du fabricant. Les ampoules autres qu'à DEL ne sont assorties d'aucune garantie.

En fournissant la preuve d'achat, l'acheteur initial peut retourner le ventilateur défectueux à son lieu d'achat pendant les 30 premiers jours afin qu'il soit remplacé. Après 30 jours, l'acheteur initial DOIT communiquer avec Progress Lighting au 864 678-1000 pour la réparation ou le remplacement du ventilateur, ce qui sera déterminé exclusivement par Progress Lighting et constituera le seul et unique recours de l'acheteur.

Main-d'œuvre et expédition exclus. La présente garantie ne couvre par les coûts et les frais associés à la main-d'œuvre (y compris, sans s'y limiter, les frais d'électricien) nécessaires à l'installation, au retrait ou au remplacement du ventilateur ou des pièces du ventilateur.

La présente garantie ne s'applique pas en cas de perte ou de dommage découlant (i) de l'usure normale, de l'altération ou d'un usage incorrect, abusif ou négligent ou (ii) d'une installation, d'une utilisation, d'une réparation ou d'un entretien inadéquats par l'acheteur initial ou un tiers, y compris, sans s'y limiter, une tension électrique inadéquate ou une surtension, l'utilisation de pièces ou d'accessoires inadéquats, une réparation non autorisée (effectuée ou tentée) ou l'omission d'entretenir le ventilateur.

LES GARANTIES QUI PRÉCÈDENT ÉNONCENT L'ENTIÈRE RESPONSABILITÉ DE PROGRESS LIGHTING AU CHAPITRE DE LA GARANTIE AINSI QUE LE SEUL ET UNIQUE RECOURS DE L'ACHETEUR LIÉ À CES PRODUITS. PROGRESS LIGHTING N'EST PAS RESPONSABLE DES DOMMAGES (Y COMPRIS LES DOMMAGES INDIRECTS, SPÉCIAUX, ACCESSOIRES OU CONSÉCUTIFS) ATTRIBUABLES À LA DÉFECTUOSITÉ DU PRODUIT, QU'ILS SOIENT LIÉS À UNE VIOLATION DE LA GARANTIE, UNE VIOLATION DU CONTRAT OU AUTRE. LA PRÉSENTE GARANTIE REMPLACE TOUTE AUTRE GARANTIE, EXPRESSE OU IMPLICITE, Y COMPRIS TOUTE GARANTIE DE QUALITÉ MARCHANDE, D'UTILITÉ À UNE FIN PARTICULIÈRE OU D'ABSENCE DE CONTREFAÇON.

Certains États ne permettent pas de limitation à la durée implicite d'une garantie ou d'exclusion ou de limitation des dommages accessoires ou consécutifs. Par conséquent, les limitations ci-dessus pourraient ne pas s'appliquer à vous. La présente garantie vous accorde des droits précis et vous pourriez avoir d'autres droits qui peuvent varier d'un État à l'autre.

Date d'achat _____

Magasin _____

N° de modèle _____

N° de série _____

N° du fournisseur : 109226

CUP 785247230310
 785247230327



Règles de sécurité	1.
Déballage de votre ventilateur	2.
Installation de votre ventilateur	3.
Utilisation de votre émetteur	7.
Entretien de votre ventilateur	9.
Dépannage	10.
Caractéristiques techniques	11.

Table des matières

1. Afin de réduire les risques de choc électrique, vous assurer que l'électricité a été coupée au disjoncteur ou à la boîte à fusibles avant de commencer.
2. Tout le câblage doit être conforme aux codes de l'électricité national et local. L'installation électrique doit être effectuée par un électricien agréé qualifié.
3. **AVERTISSEMENT** : Afin de réduire les risques de choc électrique et d'incendie, ne pas utiliser ce ventilateur avec un dispositif de contrôle de la vitesse à semi-conducteur.
4. **AVERTISSEMENT** : Afin de réduire les risques d'incendie, de choc électrique ou de blessure, installer à une boîte de sortie indiquée « Acceptable pour support de ventilateur de 15,9 kg (35 lb) Ou moins » et utiliser les vis de montage fournies avec la boîte de sortie. La plupart des boîtes de sortie couramment utilisées pour le support de luminaires ne sont pas acceptables pour le support d'un ventilateur et doivent être remplacées. Compte tenu de la complexité de l'installation de ce ventilateur, il est fortement recommandé de faire appel à un électricien agréé qualifié.
8. Pour éviter les blessures ou les dommages au ventilateur ou à d'autres articles, faire preuve de prudence lorsque vous travaillez à proximité du ventilateur ou que vous le nettoyez.
9. Ne pas utiliser d'eau ou de détergent lorsque vous nettoyez le ventilateur ou les pales du ventilateur. Un linge sec ou légèrement humide convient la plupart du temps.
10. Une fois les branchements électriques réalisés, les conducteurs épissés doivent être tournés vers le haut et poussés délicatement dans la boîte de sortie. Les fils doivent être séparés et le conducteur mis à la terre ainsi que le conducteur de mise à la terre de l'équipement doivent être placés d'un côté de la boîte de sortie.
11. Les schémas électriques sont à titre de référence uniquement. Les ensembles d'éclairage qui ne sont pas emballés avec le ventilateur doivent être homologués eUL et porter une marque indiquant qu'ils conviennent pour le modèle de ventilateur que vous installez. Les interrupteurs doivent être homologués eUL pour usage général. Vous reporter aux instructions qui accompagnent les ensembles d'éclairage.

AVERTISSEMENT

AFIN DE RÉDUIRE LES RISQUES D'INCENDIE, DE CHOC ÉLECTRIQUE
OU DE BLESSURE, INSTALLER À UNE BOÎTE DE SORTIE INDICUÉE
« ACCEPTABLE POUR SUPPORT DE VENTILATEUR.

5. La boîte de sortie et la structure de support doivent être solidement installées et en mesure de supporter de manière fiable un poids d'un minimum de 15,9 kg (35 lb) ou moins. N'utiliser que des boîtes de sortie homologuées eUL et portant l'indication **POUR SUPPORT DE VENTILATEUR**.
6. Le ventilateur doit être installé en prévoyant un dégagement minimal de 2,1 m (7 pi) entre le ventilateur et le plancher.
7. Éviter de placer des objets dans la trajectoire des pales.

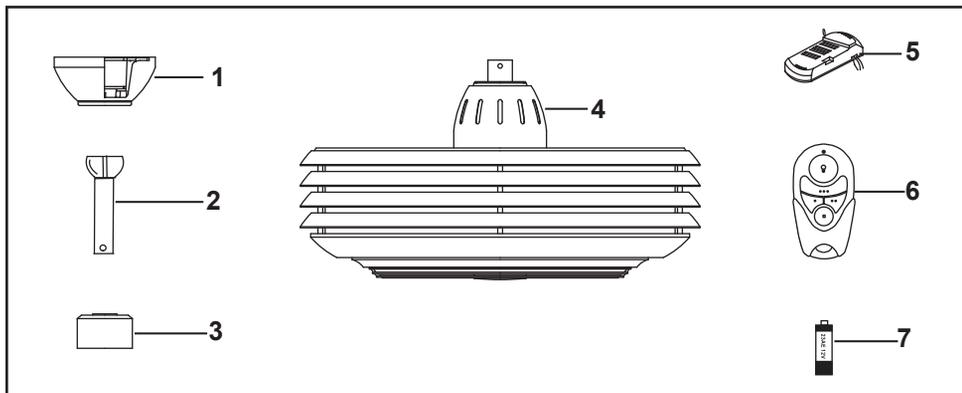
AVERTISSEMENT

AFIN DE RÉDUIRE LE RISQUE DE BLESSURE, NE PAS PLIER LES BRAS DES
PALES (AUSSI APPELÉS SUPPORTS) PENDANT OU APRÈS L'INSTALLATION.
NE PAS INSÉRER D'OBJETS DANS LA TRAJECTOIRE DES PALES.

REMARQUE

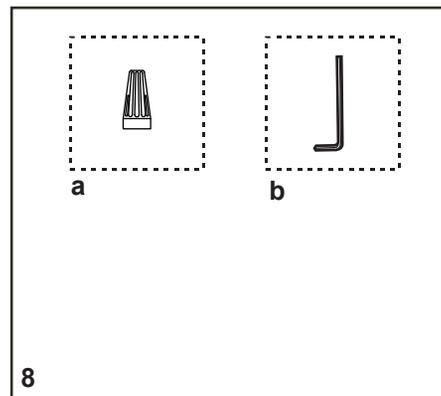
LIRE ET CONSERVER TOUTES LES INSTRUCTIONS!

1. Règles de sécurité



Déballagez votre ventilateur et vérifiez le contenu. Vous devriez avoir les articles suivants :

- | | |
|--------------------------|--|
| 1. Ensemble du pavillon | 5. Récepteur avec six capuchons de connexion |
| 2. Ensemble tige/boule | 6. Émetteur, avec deux vis de fixation |
| 3. Couvrerle de couplage | 7. Pile MN21/A23 de 12 V |
| 4. Moteur du ventilateur | |



8. Sacs de pièces en vrac contenant :

- a. Matériel d'installation
Capuchons de connexion (3)
- b. Matériel de fixation des pales
Clé hexagonale

Déballage de votre ventilateur 2.

Outils requis

Tournevis cruciforme, tournevis à pointe plate, clé réglable, escabeau et pince coupe-fils.

Options de montage

S'il n'y a pas de boîte de montage homologuée eUL en place, lisez les instructions suivantes. Coupez l'alimentation en retirant les fusibles ou en fermant le disjoncteur.

Fixez la boîte de sortie directement sur la structure de la bâtisse. Utilisez des attaches et des matériaux de construction appropriés. La boîte de sortie et son support doivent pouvoir bien supporter le poids du ventilateur en mouvement (au moins 35 lb). N'utilisez pas de boîte de sortie en plastique.

AVERTISSEMENT

AFIN DE RÉDUIRE LES RISQUES D'INCENDIE, DE CHOC ÉLECTRIQUE OU DE BLESSURE, INSTALLER LE VENTILATEUR SEULEMENT À UNE BOÎTE DE SORTIE INDICUÉE « ACCEPTABLE POUR SUPPORT DE VENTILATEUR » ET UTILISER LES VIS DE MONTAGE FOURNIES AVEC LA BOÎTE DE SORTIE. LA PLUPART DES BOÎTES DE SORTIE COURAMMENT UTILISÉES POUR LE SUPPORT DE LUMINAIRES NE SONT PAS ACCEPTABLES POUR LE SUPPORT D'UN VENTILATEUR ET DOIVENT ÊTRE REMPLACÉES. DANS LE DOUTE, CONSULTER UN ÉLECTRICIEN AGRÉÉ QUALIFIÉ.

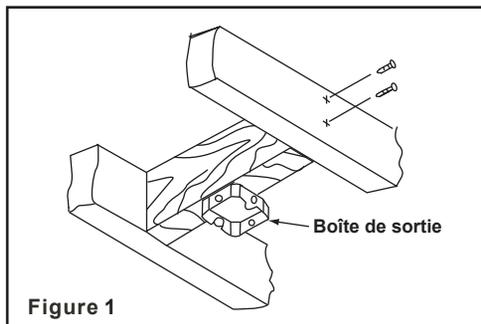


Figure 1

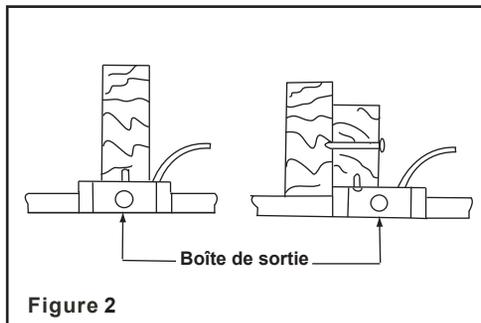


Figure 2

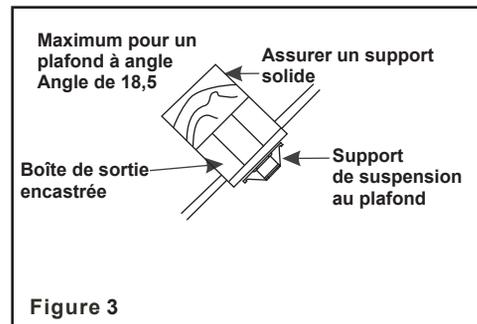


Figure 3

Remarque : En cas d'installation contre un plafond très incliné, vous pourriez avoir besoin d'une tige plus longue pour maintenir le dégagement adéquat.

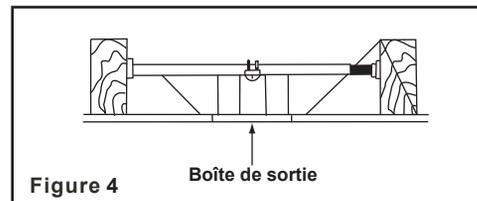


Figure 4

Pour installer votre ventilateur dans un boîtier existant, mais sans solive de plafond, vous pourriez avoir besoin d'une barre d'installation, comme illustré à la Figure 4 (en vente chez votre détaillant Progress Lighting).

3. Installation de votre ventilateur

Suspension du ventilateur

N'OUBLIEZ PAS de couper l'alimentation électrique. Suivez les étapes ci-dessous pour suspendre correctement votre ventilateur :

Étape 1. Retirez le couvercle du dessous du pavillon en tournant le couvercle dans le sens antihoraire. (Fig. 5)

Étape 2. Enlevez le support de fixation du pavillon en retirant l'une des vis du dessous du support de fixation et en desserrant l'autre vis d'un demi-tour. Ensuite, tournez le pavillon dans le sens antihoraire pour retirer le support de fixation du pavillon. (Fig. 5)

Étape 3. Passez les fils de 120 volts dans le trou du centre du support de suspension au plafond, comme montré à la Fig. 6.

Étape 4. À l'aide des vis et rondelles fournies avec votre boîte de sortie, fixez le support de suspension à la boîte de sortie du plafond.

Étape 5. Retirez la cheville de suspension, l'ergot d'arrêt et les vis de serrage du dessus de l'ensemble du moteur. (Fig. 7)

Étape 6. Faites passer les fils qui émergent du dessus du moteur à travers le couvercle du collet, le couvercle du pavillon, le pavillon, puis à travers la boule/tige. (Fig. 7)

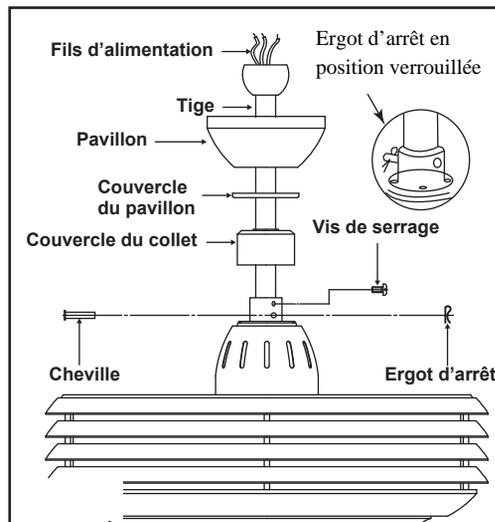
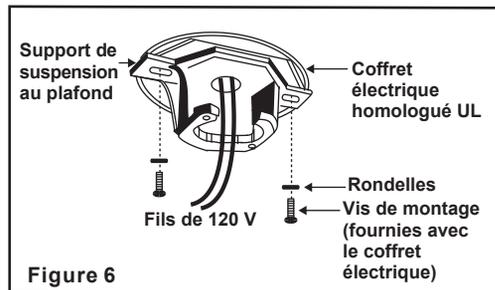
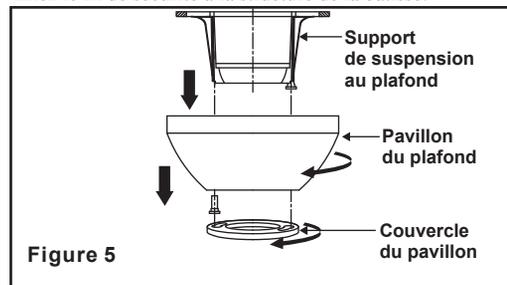
Étape 7. Alignez les trous dans le bas de la tige avec les trous dans le collet sur le dessus du boîtier du moteur (Fig. 7). Insérez délicatement la cheville de suspension à travers les trous dans le collet et la tige. Prenez garde de ne pas coincer la cheville contre les fils à l'intérieur de la tige. Insérez l'ergot d'arrêt dans le trou près de la base de la cheville de suspension jusqu'à ce qu'un déclic indique qu'il est bien en position, comme illustré dans l'encart rond de la Fig. 7.

AVERTISSEMENT
UNE MAUVAISE INSTALLATION
DE L'ERGOT D'ARRÊT COMME INDICÉ
À L'ÉTAPE 7 PEUT ENTRAÎNER
LE DESSERREMENT, ET POSSIBLEMENT
LA CHUTE, DU VENTILATEUR.

Étape 8. Serrez fermement deux vis de serrage sur le dessus du moteur du ventilateur. (Fig. 7)

Étape 9. Placez la boule de la tige dans l'emboîture du support de suspension.

Étape 10. À l'aide d'une vis à bois (non incluse), fixez le fil de sécurité à la structure de la bâtisse.



Branchements électriques

AVERTISSEMENT : Afin d'éviter un possible choc électrique, assurez-vous de couper l'alimentation électrique à la boîte à fusibles principale avant de procéder au câblage.

REMARQUE : Cette télécommande est pourvue de 16 combinaisons afin de prévenir toute interférence possible avec d'autres télécommandes. Les molettes de sélection de fréquence sur votre récepteur et votre émetteur ont été préréglées à l'usine. Veuillez vérifier à nouveau pour vous assurer que les molettes de l'émetteur et du récepteur sont réglées à la même position. Les combinaisons de réglages commanderont le ventilateur tant que l'émetteur et le récepteur seront réglés à la même position. (Fig. 8)

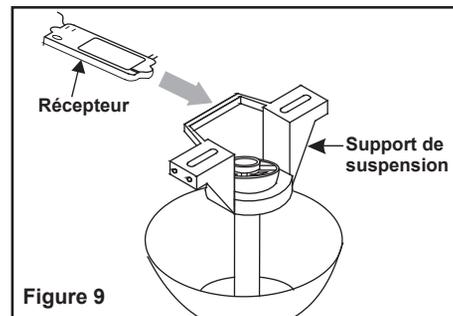
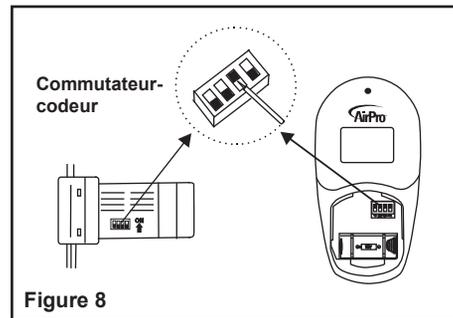
Étape 1. (Fig. 9) Insérez le récepteur dans le support de fixation en vous assurant que le côté plat du récepteur fait face au plafond.

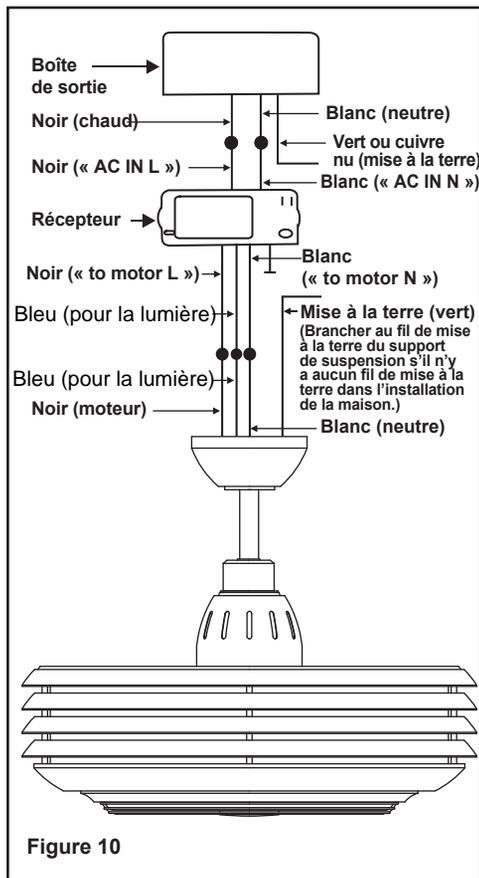
Étape 2. (Fig. 10) Branchements électriques du moteur au récepteur : Branchez le fil noir du ventilateur au fil noir portant l'indication « TO MOTOR L ». Branchez le fil blanc du ventilateur au fil blanc du récepteur marqué « TO MOTOR N ». Consolidez les branchements à l'aide des capuchons de connexion en plastique fournis.

Étape 3. (Fig. 10) Du récepteur aux branchements électriques des fils de l'alimentation de la maison : Branchez le fil noir (chaud) du plafond au fil noir du récepteur marqué « AN in L ». Branchez le fil blanc (neutre) du plafond au fil blanc du récepteur marqué « AN in N ». Consolidez les branchements à l'aide des capuchons de connexion en plastique fournis.

Étape 4. (Fig. 10) Si votre boîte de sortie est munie d'un fil de mise à la terre (vert ou cuivre nu), branchez-le aux fils de mise à la terre du ventilateur. Sinon, branchez le fil de mise à la terre du support de suspension au support de fixation. Consolidez le branchement à l'aide d'un capuchon en plastique fourni. Après avoir branché les fils, séparez-les de façon à ce que les fils vert et blanc soient d'un côté de la boîte de sortie et que les fils noir et bleu soient de l'autre côté. Poussez délicatement les fils branchés pour les loger dans la boîte de sortie.

REMARQUE : Pour une transmission adéquate des signaux entre l'émetteur et le ventilateur, le ventilateur doit être installé à une distance maximale de 20 pieds de l'émetteur.





Achèvement de l'installation

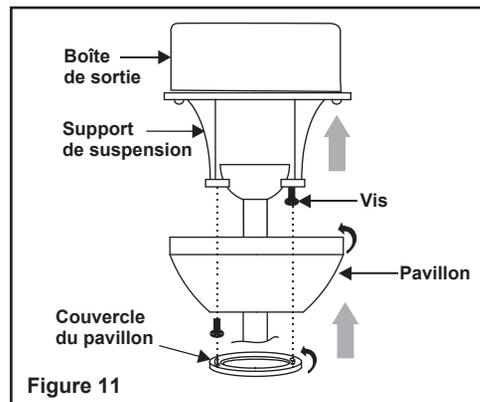
Étape 1. Placez les branchements bien proprement dans la boîte de sortie du plafond.

Étape 2. Remontez le pavillon par-dessus le support de fixation et placez le trou de serrure dans le pavillon par-dessus la vis du support de fixation, puis tournez le pavillon jusqu'à ce qu'il s'insère en place dans la section étroite des trous de serrure. (Fig.11)

Étape 3. Alignez le trou circulaire sur le pavillon avec le trou restant sur le support de fixation et fixez en serrant les deux vis de serrage. Remarque : Réglez les vis du pavillon au besoin jusqu'à ce que le pavillon et le couvercle du pavillon soient bien serrés.

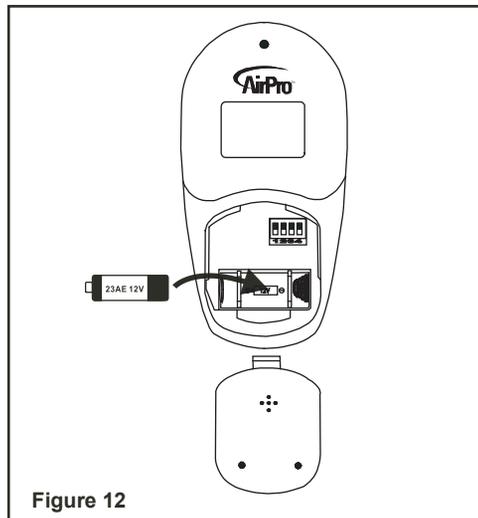
AVERTISSEMENT

Vous assurer que l'entaille dans le support de suspension repose correctement dans la rainure de la boule avant de fixer le pavillon au support en tournant le boîtier jusqu'à ce qu'il s'insère en place.



Installation de la pile

Installez la pile MN21/A23 de 12 V (incluse) pour prévenir les dommages à l'émetteur. Retirez la pile si elle n'est pas utilisée pendant une longue période.



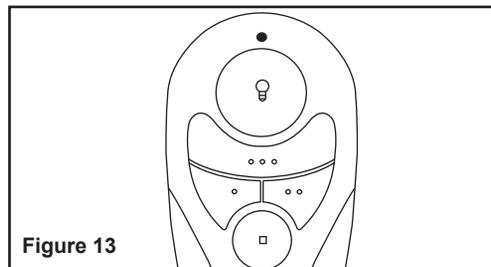
Restore power to ceiling fan and test for proper operation.

1. Boutons «●, ●● et ●●●» :
Ces trois boutons servent à régler la vitesse du ventilateur de la façon suivante :

- = Vitesse basse
- = Vitesse moyenne
- = Vitesse élevée

2. Bouton «■» :
Ce bouton met le ventilateur hors tension.

3. Le bouton «» sert à éteindre et allumer la lumière et permet également de contrôler la luminosité. Appuyez et relâcher le bouton pour éteindre et allumer la lumière. Appuyez et maintenir la pression sur le bouton pour régler la luminosité à l'intensité désirée. La touche pour l'éclairage est dotée de la fonction de réactivation automatique. L'éclairage restera à la même luminosité que lorsque la lumière a été éteinte la dernière fois.



Le sélecteur d'inversion est situé sur le boîtier du moteur. Faites glisser le sélecteur vers la gauche pour un fonctionnement par température chaude. Faites glisser le sélecteur vers la droite pour un fonctionnement par température froide.

REMARQUE : Attendez que le ventilateur se soit immobilisé avant de changer le réglage du sélecteur.

Les réglages de vitesse pour la température chaude ou froide dépendent de facteurs tels que la taille de la pièce, la hauteur du plafond, le nombre de ventilateurs, etc.

Température chaude : (vers l'avant) Une circulation d'air vers le bas crée un effet refroidissant, comme illustré à la Figure 14. Cela vous permet de régler votre climatiseur à une température plus élevée sans perte de confort.

Température froide : (sens inverse) Une circulation d'air vers le haut pousse l'air chaud du plafond vers le bas, comme illustré à la Figure 15. Cela vous permet de régler votre chauffage à une température plus basse sans perte de confort.

7. Utilisation de votre émetteur

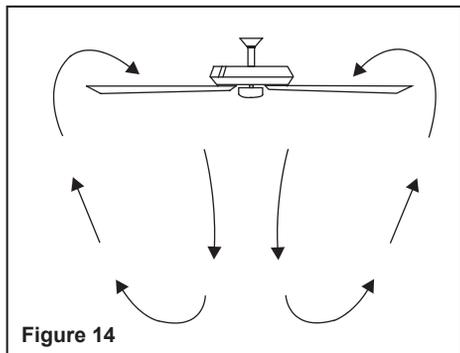


Figure 14

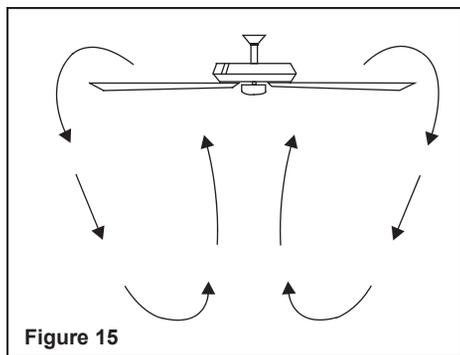


Figure 15

Désassemblage de votre ventilateur

Ce ventilateur est vendu avec une pale et un protecteur avant préassemblés pour vous faciliter l'installation. Assurez-vous que toutes les vis sont bien serrées.

Si, pour quelque raison que ce soit, vous devez désassembler le ventilateur, par exemple, pour le nettoyer, veuillez retirer les quatre vis de serrage et replacer les vis après le nettoyage des pales. (Fig. 16)

Utilisez un chiffon non pelucheux légèrement humide pour enlever la poussière sur les pales.

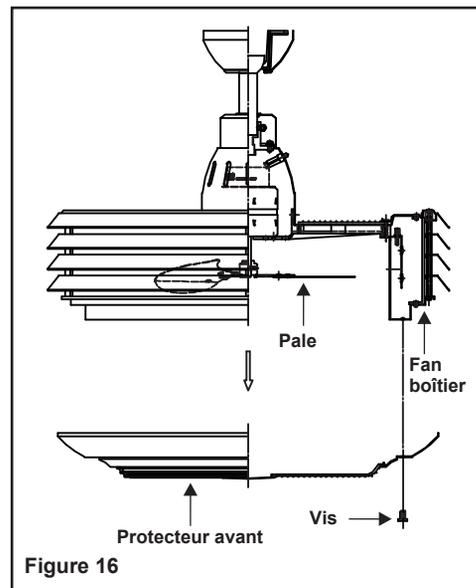


Figure 16

Voici quelques suggestions pour vous aider à entretenir votre ventilateur

1. Le mouvement naturel du ventilateur peut provoquer le desserrement de quelques branchements. Inspectez les branchements, les supports et les fixations des pales deux fois par année. **Assurez-vous qu'ils sont bien serrés et solides. (Il n'est pas nécessaire de retirer le ventilateur du plafond.)**

2. Nettoyez régulièrement votre ventilateur pour préserver son apparence neuve au fil des années. Pour éviter d'égratigner le fini, utilisez seulement une brosse douce ou un chiffon non pelucheux. Le placage est scellé avec de la laque afin de minimiser la décoloration et le ternissement. Ne pas utiliser d'eau lorsque vous nettoyez le ventilateur. Vous pourriez ainsi endommager le moteur ou le bois, et possiblement causer un choc électrique.

3. Vous pouvez appliquer une mince couche de cire pour meubles sur les pales en bois pour leur donner un surcroît de protection et en rehausser la beauté. Couvrez les petites égratignures en appliquant une mince couche de cirage.

4. **Il n'est pas nécessaire de lubrifier votre ventilateur.** Le moteur est pourvu de roulements lubrifiés de façon permanente.

IMPORTANT
VOUS ASSURER QUE L'ALIMENTATION
EST COUPÉE AU PANNEAU ÉLECTRIQUE
AVANT DE TENTER DE FAIRE
UNE RÉPARATION. VOUS REPORTER
À LA SECTION « BRANCHEMENTS
ÉLECTRIQUES ».

9. Entretien de votre ventilateur

Problème

Solution

Le ventilateur ne démarre pas.

1. Vérifiez les fusibles ou les disjoncteurs du circuit.
2. Vérifiez les branchements des fils jusqu'au ventilateur ainsi que les branchements des fils de l'interrupteur dans le boîtier de l'interrupteur.
ATTENTION : Assurez-vous que l'alimentation principale est coupée.
3. Assurez-vous que les commutateurs DIP de l'émetteur et du récepteur sont réglés à la même fréquence.

Le ventilateur fait du bruit.

1. Assurez-vous que toutes les vis du boîtier du moteur sont bien serrées.
2. Assurez-vous que les vis qui fixent les supports des pales du ventilateur au moteur sont bien serrées.
3. Assurez-vous que les capuchons de connexion ne se frottent pas les uns contre les autres ou contre les parois du boîtier de l'interrupteur.
ATTENTION : Assurez-vous que l'alimentation principale est coupée.
4. Prévoyez une période de « rodage » de 24 h. La plupart des bruits associés à un ventilateur neuf disparaissent pendant cette période.
5. Si vous utilisez un ensemble d'éclairage facultatif, assurez-vous que les vis qui retiennent l'abat-jour sont bien serrées. Vérifiez également si l'ampoule est bien vissée.
6. Certains moteurs de ventilateurs sont sensibles aux signaux provenant de variateurs de vitesse à semi-conducteur. Si vous avez installé ce type de commande, choisissez et installez un autre type de commande.
7. Assurez-vous que le pavillon supérieur se trouve à courte distance du plafond. Il ne doit pas toucher le plafond.

Mauvais fonctionnement de la télécommande

1. Ne reliez pas le ventilateur à un ou des variateurs de vitesse fixé(s) au mur.
2. Assurez-vous que les commutateurs DIP sont réglés correctement.

Dépannage 10.

Taille du ventilateur	Vitesse	Volts	Ampères	Watts	Tr/min	PCM	P. N.	P. B.	P. C.
23 po (58 cm)	Basse	120	0,25	19,64	900	619,17	28,66 lb	37,04 lb	6.08'
	Élevée	120	0,31	37	1475	1008,99			

Ces mesures sont approximatives. Elles ne comprennent pas l'intensité de courant et la puissance électrique utilisées par l'ensemble d'éclairage.

Cet appareil est conforme à la section 15 de la réglementation de la FCC. Son fonctionnement est soumis aux deux conditions suivantes: (1) Cet appareil ne doit pas causer d'interférences nuisibles et (2) cet appareil doit accepter toutes les interférences reçues, y compris celles pouvant entraîner un fonctionnement indésirable.

Avertissement: toute modification apportée à cet appareil non expressément approuvée par la partie responsable de la conformité pourrait annuler l'autorité de l'utilisateur à utiliser l'équipement.

REMARQUE: Cet équipement a été testé et déclaré conforme aux limites imposées aux appareils numériques de classe B, définies à la section 15 du règlement de la FCC. Ces limites sont conçues pour fournir une protection raisonnable contre les interférences nuisibles dans une installation résidentielle. Cet équipement génère, utilise et peut émettre de l'énergie de fréquence radio. S'il n'est pas installé et utilisé conformément aux instructions, il peut causer des interférences nuisibles aux communications radio.

Cependant, rien ne garantit que des interférences ne se produiront pas dans une installation particulière. Si cet équipement provoque des interférences nuisibles avec la réception de radio ou de télévision, ce qui peut être déterminé en éteignant et en rallumant l'équipement, l'utilisateur est invité à tenter de corriger l'interférence en appliquant l'une ou plusieurs des mesures suivantes:

- Réorientez ou déplacez l'antenne de réception.
- Augmentez la distance entre l'équipement et le récepteur.
- Connectez l'équipement à une prise d'un circuit différent de celui auquel le récepteur est connecté.
- Consultez votre revendeur ou un technicien radio / TV expérimenté pour obtenir de l'aide.

©2020 Progress Lighting, Inc.
701 Millennium Blvd.,
Greenville, SC 29607
All Rights Reserved

11. Specifications

Manual de Instalación del Ventilador de Techo



Garantía limitada de por vida

Se garantiza al comprador original que los motores de los ventiladores de Progress Lighting no presentan defectos mecánicos o eléctricos por el tiempo durante el cual el comprador original sea dueño del ventilador. Los interruptores de cadena, interruptores de reversa, capacitores y acabados de metal cuentan con garantía libre de defectos de materiales o mano de obra por 1 año a partir de la fecha de compra. La deformación de las aspas de plástico o madera no está cubierta por esta garantía, así como tampoco la corrosión y/o el deterioro de los acabados en el caso de los ventiladores instalados dentro de un radio de 10 millas (16 km) de la costa del mar. Pueden corresponder garantías extendidas para los productos que cumplen con los requisitos de ENERGY STAR®.

Los ventiladores de techo Progress Lighting con fuentes de iluminación LED incorporadas, cuando se los instala debidamente y bajo condiciones de uso normales, están garantizados como libres de defectos de materiales y mano de obra que hacen que las fuentes de iluminación dejen de funcionar de acuerdo con las especificaciones durante (i) cinco (5) años a partir de la fecha de compra para los módulos de luces LED y los componentes eléctricos para los ventiladores utilizados en residencias unifamiliares, y (ii) tres (3) años a partir de la fecha de compra para los módulos de luces LED y los componentes eléctricos para los ventiladores utilizados en aplicaciones comerciales o multifamiliares. Los focos LED suministrados por Progress Lighting no cuentan con garantía más allá de la garantía del fabricante. Los focos que no son LED no cuentan con garantía.

Con comprobante de compra, el comprador original podrá devolver el ventilador defectuoso al lugar de compra, durante los primeros 30 días, para su reemplazo. Pasados los 30 días, el comprador original DEBE contactarse con Progress Lighting al (864) 678-1000 para la reparación o el reemplazo, que se determinará a criterio exclusivo de Progress Lighting y será la compensación única y exclusiva del comprador.

Se excluye la mano de obra y el envío. Esta garantía no cubre los costos o cargos asociados con la mano de obra (incluidos, entre otros, los honorarios del electricista) necesaria para instalar, quitar o reemplazar el ventilador o cualquiera de sus partes.

Esta garantía no se aplicará a ninguna pérdida o daño que resulte del (i) uso y desgaste normales o de una alteración, uso indebido o descuido, o de la (ii) instalación, operación, reparación o mantenimiento inadecuados por parte del comprador original o de un tercero, incluidos, entre otros, suministro de voltaje inadecuado o sobrecarga eléctrica, uso de piezas o accesorios inadecuados, reparación no autorizada (realizada o que se intentó realizar) o falta de mantenimiento al ventilador.

LAS GARANTÍAS PRECEDENTES ESTABLECEN LA OBLIGACIÓN DE GARANTÍA COMPLETA DE PROGRESS LIGHTING Y LA COMPENSACIÓN ÚNICA Y EXCLUSIVA DEL COMPRADOR ORIGINAL EN RELACIÓN CON DICHS PRODUCTOS. PROGRESS LIGHTING NO ASUME RESPONSABILIDAD POR DAÑOS (INCLUIDOS INDIRECTOS, ESPECIALES, INCIDENTALES O EMERGENTES), DEBIDO A FALLAS DEL PRODUCTO, YA SEA QUE SURJAN DEL INCUMPLIMIENTO DE LA GARANTÍA, DEL INCUMPLIMIENTO CONTRACTUAL O DE OTRO MODO. ESTA GARANTÍA REEMPLAZA CUALQUIER OTRA GARANTÍA, YA SEA EXPRESA O IMPLÍCITA, INCLUSO AQUELLAS DE COMERCIABILIDAD, IDONEIDAD PARA UN FIN EN PARTICULAR O NO INCUMPLIMIENTO.

Algunos estados no permiten limitaciones sobre la duración de una garantía implícita o la exclusión de limitaciones de daños incidentales o emergentes, de modo que las limitaciones y exclusiones anteriores tal vez no se apliquen a su caso. La presente garantía le otorga derechos específicos y es posible que usted tenga otros derechos que varían según el estado.

Fecha de compra _____

Lugar de compra _____

N de modelo. _____

N de serie _____

Numero de vendedor 109226

785247230310

UPC 785247230327

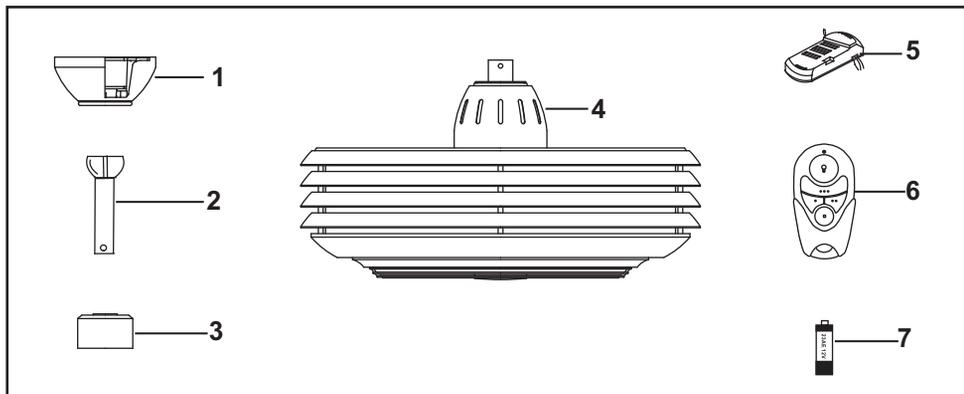


Normas de seguridad	1.
Cómo desembalar el ventilador	2.
Cómo instalar el ventilador	3.
Operando su transmisor	7.
Cómo cuidar del ventilador	9.
Resolución de problemas	10.
Especificaciones	11.

Tabla de Contenido

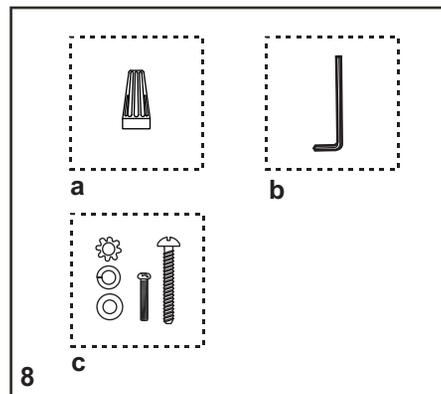
1. Para reducir el riesgo de electrocución, asegurarse de que la electricidad se ha desactivado en el cortacircuitos o caja de fusibles antes de comenzar.
 2. Todo cableado debe relizarse conforme al Código Electrico Nacional y los códigos electricos locales. La instalación eléctrica debe ser relajada por un electricista registrado calificado.
 3. **ADVERTENCIA:** Para reducir el riesgo de una electrocuion e incendio, no usar este ventilador con ningun dispositivo de esto s lido para control de la velocidad del ventilador.
 4. **ADVERTENCIA:** para reducir el riesgo de incendio, descarga eléctrica o lesión personal, monte a una caja distribución marcada como "Aceptable para soporte de un ventilador de 15.9kg (35 lbs.) de peso o menos" y monte con los tornillos proporcionados con la caja de distribución. La mayoría de las cajas de conexión utilizadas para soportar artefactos de iluminación, no son aptas para colgar un ventilador y podría ser necesario cambiarlas. Debido a la complejidad de la instalación de este ventilador, se recomienda encarecidamente que la realice un electricista licenciado cualificado.
- ADVERTENCIA**
PARA REDUCIR EL RIESGO DE INCENDIO ELECTROCUCIÓN O LESIONES PERSONALES. MONTAR EL VENTILADOR EN UNA CAJA DE DISTRIBUCIÓN MARCADA CÓMO ACEPTABLE PARA SOPORTE DE VENTILADORES.
5. La caja de distribución y la estructura de soporte deben estar montados de manera segura y deben ser capaces de soportar, de manera confiable, unminimo de 35 libras (15,9 kilogramos). Usar solamente cajas de distribución listadas por cUL marcadas "**PARA SOPORTEDE VENTILADORES**".
 6. EL ventilador debe estar montado con un m nimo de 7 pies (2.1m) de desde la parte inferior del protector del ventilador hasta el piso.
 7. Evitar colocar objetos qen interfiera el giro de las aspas.
8. Para evitar lesiones personales o da os al ventilador y otros articulos, tener cuidado al trabajar cerca del ventilador o al limpiarlo.
 9. No usar agua o detergentes al limpiar el ventilador o las aspas del ventilador. Para la mayoría de los propsitos de limpieza, un paño seco o ligeramente humedecido será apropiado.
 10. Despues de realizar las conexiones eléctricas, los conductores empalmados se deben voltear hacia arriba y se deben empujar con cuidado hacia dentro de la caja de distribución. Los cables deben estar separados, con el conductor a tierra y el conductor a tierra del equipo en un lado de la caja de distribución.
 11. Los diagramas eléctricos son para referencia únicamente. Los juegos de iluminación que no estén embalados con el ventilador deben estar Listados por cUL y marcados como apropiados para ser usados con el modelo de ventilador que se está instalando. Los interruptores deberán ser Interruptores para uso general cUL. Réfierase a las instrucciones embaladas con los juegos de iluminación e interruptores para obtener información sobre el montaje adecuado.
- ADVERTENCIA**
PARA REDUCIR EL RIESGO DE LESIONES PERSONALES, NO DOBLAR LOS SÓPORTES DE LAS ASPAS (TAMBIEN LLAMADOS"REBÓRDES" DURANTE EL MONTAJE O DESPUES DE LA INSTALACIÓN NO INSERTAR OBJETOS EN LA TRAYECTORIA DE LAS ASPAS.
- NOTA**
!LEER Y GUARDAR TODAS LAS INSTRUCCIONES!

1. Normas de seguridad



Desembalar el ventilador y revisar el contenido. Debe tener los siguientes elementos:

- | | |
|--|--|
| 1. Escudete superior | 5. Receptor + 6 tuercas de cable |
| 2. Conjunto de bola/tubo de suspensión | 6. Transmisor + soporte + 2 tornillos de montaje |
| 3. Cubridor del motor | 7. 12V MN21/A23 batería |
| 4. Conjunto de motor del ventilador | |



8. Dos bolsas de piezas pequeñas:

- a. Piezas de montaje**
(3 conectores plásticos para cables eléctricos).
- b. Piezas de las aspas**
Llave Allen
- c. Piezas de soporte de montaje**
(2 tornillos, 2 tornillos de madera,
2 arandelas de estrella,
2 arandelas de seguridad,
2 arandelas planas)

Cómo desembalar el ventilador 2.

Herramienta necesarias

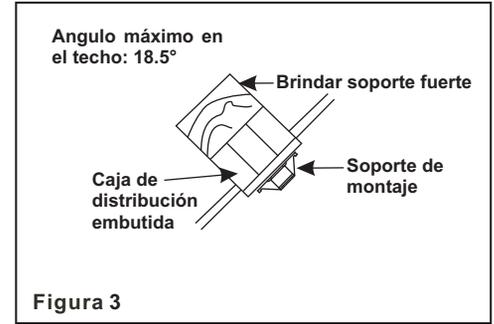
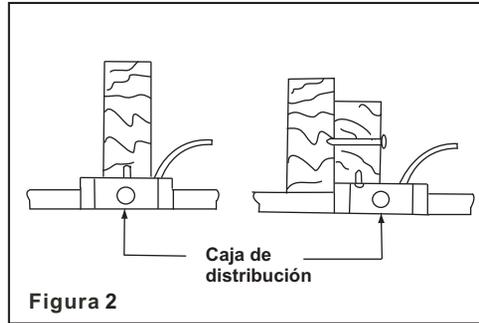
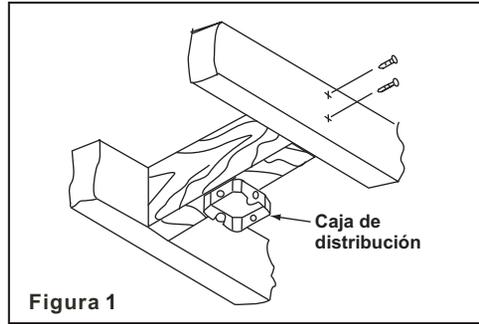
Destornillador Phillips, destornillador normal, llave de tuercas ajustable, escalera de tijera, y cortadoras de alambre.

Opciones de instalación

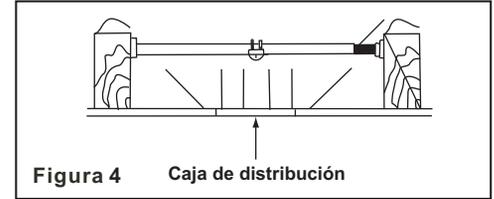
Si no hay una caja con cUL registración de montaje existente, sírvase leer las siguientes instrucciones. Desconectar el suministro de electricidad removiendo los fusibles o desactivando los cortacircuitos.

Asegurar la caja de distribución directamente a la estructura del edificio. Usar los sujetadores y materiales de construcción apropiados. La caja de distribución y su soporte deben ser capaces de soportar completamente el peso en movimiento del ventilador (al menos 35 libras o 15.9 kgs.) No usar cajas de distribución plásticas.

ADVERTENCIA
PARA REDUCIR EL RIESGO DE INCENDIO, ELECTROCUCIÓN O DAÑO PERSONAL, INSTALAR EL VENTILADOR A UNA CAJA DE DISTRIBUCION MARCADA "ACEPTADA PARA SOPORTAR VENTILADOR" Y USAR LOS TORNILLOS DE MONTAJE SUMINISTRADOS CON LA CAJA DE DISTRIBUCION



Nota: Ud. Puede necesitar una barra de extensión para mantener la distancia apropiada de cuando la instalación se efectúe en un techo inclinado.



Para colgar su ventilador donde ya existe una instalación pero no una viga de techo, es posible que se necesite una instalación de barra de suspensión como se muestra la Figura 4 (disponible en su distribuidor Progress Lighting).

3. Cómo instalar el ventilador

Colocación del ventilador

RECUERDE desconectar la alimentación. Siga estos pasos para colocar correctamente el ventilador:

Paso 1. Retire la tapa embellecedora del fondo del cobertor girando la tapa en sentido de las agujas del reloj. (Fig. 5)

Paso 2. Quite el soporte de montaje de la cubierta quitando 1 de los 2 tornillos de la parte inferior del soporte de montaje y aflojando el otro media vuelta desde la cabeza del tornillo. A continuación, gire la soporte de montaje en sentido contrahorario para quitar la cubierta. (Fig. 5)

Paso 3. Pase los hilos de 120 voltios a través del agujero central del soporte de suspensión del techo tal y cómo se muestra en la. (Fig. 6)

Paso 4. Fije el soporte de montaje a la caja del techo con los tornillos y arandelas suministradas en la caja.

Paso 5. Retire el pasador de suspensión, el pasador de bloqueo y el conjunto de tornillos y de la parte superior del ensamblaje del motor. (Fig. 7)

Paso 6. Guíe los cable de seguridad y cables que salen de la parte superior del motor del ventilador a través de la voluta decorativa, tapa de la cubierta, cubierta y luego a través de la bola/varilla. (Fig. 7)

Paso 7. Alinee los agujeros de la parte inferior de la barra con los agujeros del cuello en la

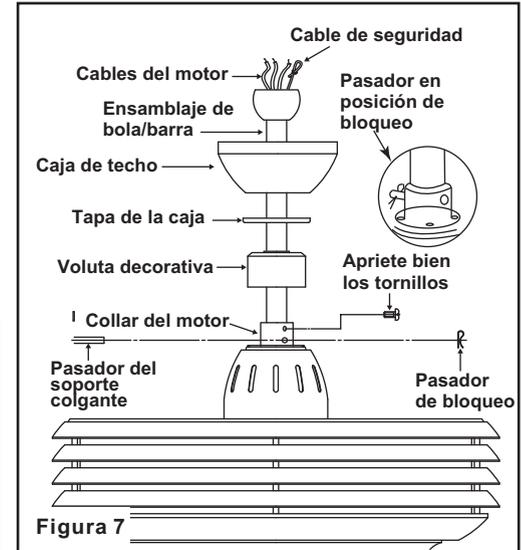
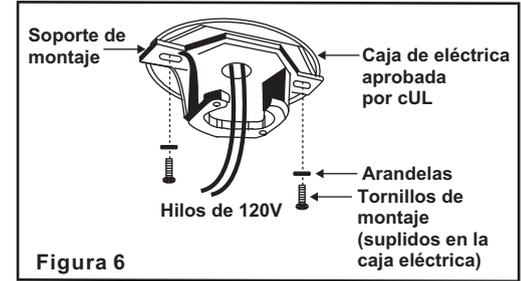
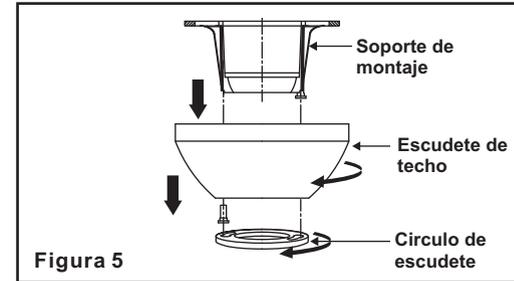
parte superior de la caja del motor (Fig. 7) Introduzca con cuidado el pasador de suspensión a través de los agujeros del cuello y de la barra. Tenga cuidado de que el pasador no se atasque con los hilos de dentro de la barra. Introduzca el pasador de bloqueo a través del agujero cercano al extremo del pasador de suspensión tal y cómo se especifica en el círculo de la Fig. 7.

ADVERTENCIA
SI NO INSTALA EL PASADOR
CORRECTAMENTE TAL Y CÓMO SE
ESPECIFICA EN EL PASO 7, EL VENTILADOR
PODRÍA AFLOJARSE E INCLUSO CAER.

Paso 8. Apriete bien los dos tornillos de la parte superior del motor. (Fig. 7)

Paso 9. Coloque la bola de la barra en la ranura del soporte de suspensión.

Paso 10. Asegure el cable de seguridad a la estructura del edificio con un tornillo para madera (no incluido).



Realizar las Conexiones Eléctricas

CUIDADO: Para evitar la posibilidad de un choque eléctrico, asegúrese de apagar la corriente eléctrica desde el circuito central.

NOTA: (Fig. 8) Esta unidad de control remoto está equipada con 16 combinaciones de frecuencias diferentes para prevenir posible interferencia con otras unidades similares. Los interruptores de frecuencia en el receptor y transmisor de su ventilador an sido programados por la fábrica. Por favor asegúrese que los interruptores de las dos unidades estén puestos en la misma secuencia, cualquier combinacion de claves operara el ventilador siempre y cuando los interruptores de las dos unidades estén en la misma secuencia.

Paso 1. (Fig. 9) Instale el receptor en la abrazadera de montaje, el lado plano debe quedar hacia arriba.

Paso 2. (Fig. 10) Conexiones del Motor al Receptor: Conecte el alambre Negro del ventilador al alambre Negro marcado To Motor L del receptor. Conecte el alambre Blanco del ventilador al alambre Blanco marcado To Motor N del receptor. Conecte el alambre Azul del ventilador al alambre Azul marcado "For lámpara de fondo" del receptor. Conecte el cable azul (luz) al cable azul del receptor Asegure las conexiones con los conectores de plástico proveidos.

Paso 3. (Fig. 10) Conexiones del receptor a los alambres de alimentación: Conecte el alambre Negro (corriente) de la caja de distribución al alambre Negro marcado AC in L del receptor. Conecte el alambre Blanco (Neutral) de la caja de salida al alambre blanco marcado AC in N del receptor. Asegure las conexiones con los conectores de plástico proveidos.

Paso 4. (Fig. 10) Si la Caja de salida tiene un alambre a tierra (verde o cobre) conéctelo a los alambres verdes de tierra de las abrazaderas de montar y colgar; y si no, conecte los alambres verde de tierra de las abrazaderas de montar y colgar solos. Asegure las conexión con un conectar los alambres, separelos para que los alambres verdes y blancos queden a un lado y los alambres negros y blancos del otro lado.

NOTA: La distancia máxima para una recepcion apropiada entre el receptor del ventilador y el transmisor son 20 pies. Asegúrese que su ventilador sea instalado dentro de esta distancia.

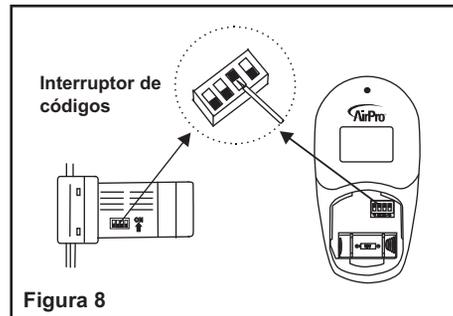


Figura 8

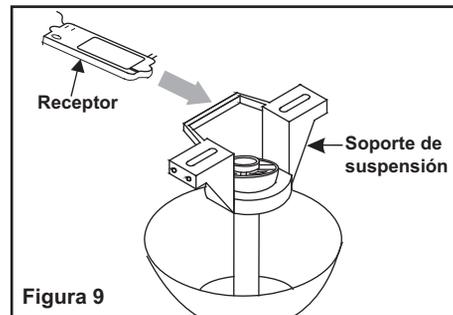


Figura 9

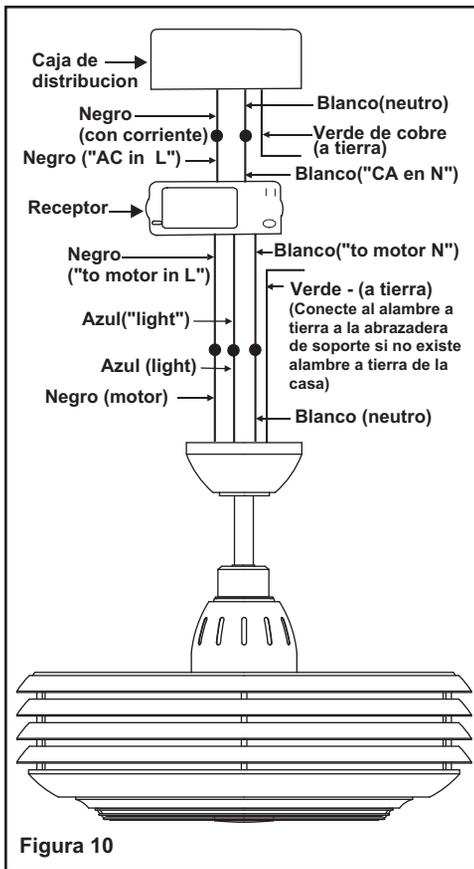


Figura 10

Terminando la Instalación

Paso 1. Meta las conexiones en forma ordenada adentro de la toma de corriente.

Paso 2. Deslice la cubierta hacia arriba hacia el soporte de montaje y coloque el agujero de posición de la cubierta sobre el tornillo del soporte de montaje, gire la cubierta hasta que quede encajada en su lugar en la sección estrecha de los agujeros de posición. (Fig. 11)

Paso 3. Alinee el agujero circular de la cubierta con el agujero restante en el soporte de montaje, fíjelo apretando los dos juegos de tornillos. Nota: Ajuste los tornillos de la cubierta hasta que la cubierta y la tapa de la cubierta queden ajustadas.

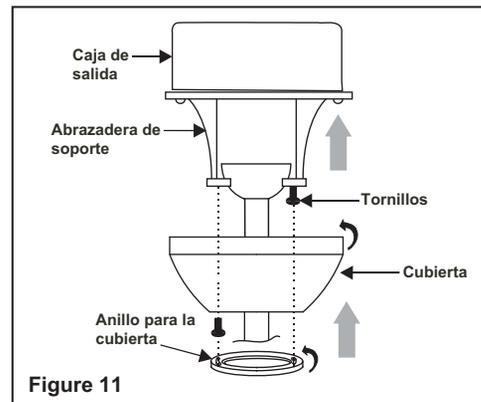


Figure 11

ADVERTENCIA

ASEGURARSE DE QUE LA LENGUETA LOCALIZADA EN LA PARTE INFERIOR DEL SOPORTE DE SUSPENSIÓN ESTÉ ASENTADA CORRECTAMENTE EN LA RANURA DE BOLA DE SUSPENSIÓN ANTES DE FIJAR EL ESCUDETE AL SOPORTE. EL NO AJUSTAR CORRECTAMENTE LA LENGUETA EN LA RANURA PODRÍA CAUSAR DAÑO AL CABLEADO ELÉCTRICO.

Instalación de la Batería

Coloque 12V MN21/A23 batería (incluidas). Para evitar estropeos del transmisor, extregia la batería cuando esté no se usa por periodo relativamente largo.

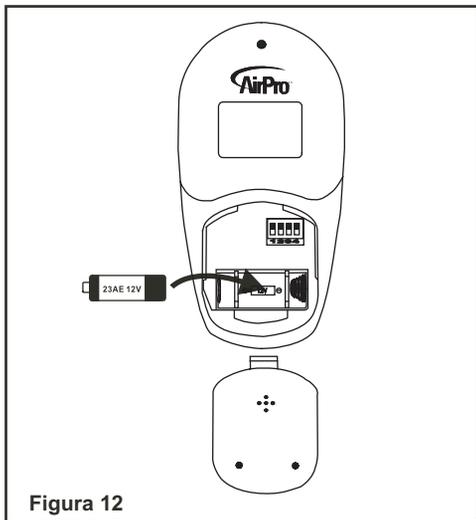


Figura 12

Conecte la electricidad a el ventilador y confirme que opera debidamente.

1. Los bottones ●, ●●, ●●● : Estos tres botones son usados para seleccionar las velocidades del ventilador de la manera siguiente:

- = Velocidad Alta
- = Velocidad Mediana
- = Velocidad Baja

2. Boton "■":
Esté boton apaga el ventilador.

3. El boton "💡" es para prender y apagar la luz, tambien se usa para controlar la intensidad de la luz. Apriete y sostenga el boton hasta obtener la intensidad de luz deseada. La luz cambiara continuamente entre intensidad y oscuridad mientras que el boton esté presionado. El boton de la luz está equipado para resumir con la misma intensidad de luz que se uso la ultima ves.

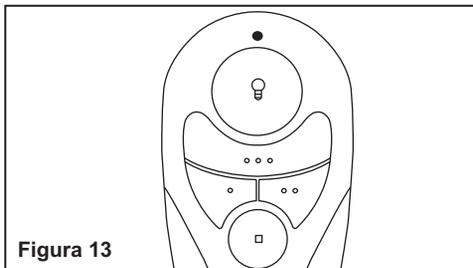


Figura 13

El Interruptor de Reversa está ubicado en la superficie de la carcasa del motor. Desliza el interruptor hacia a la izquierda para funcionamiento en clima cálido. Desliza el interruptor hacia a la derecha para funcionamiento en clima fresco.

NOTA: Espere a que el ventilador pare antes de cambiar la posición del interruptor deslizante.

Los ajustérs de velocidad para clima caliente o frío dependen de factores como el tamaño del cuarto, la altura del techo, cantidad de ventiladores, etc.

Clima cálido - (Hacia adelante) Un movimiento descendente de aire crea un efecto de enfriamiento cómo se muetra en la Fig. 14. Esto permite fijar el aire acondicionado en un valor más alto sin afectar la comodidad del usuario.

Clima frío - (Retroceso) Un flujo de aire ascendente mueve el aire caliente alejándolo del área del techo cómo se muestra en la Fig. 15. Esto permite fijar la unidad de calefacción en un valor más bajo sin afectar la comodidad usuario.

7. Operando su transmisor

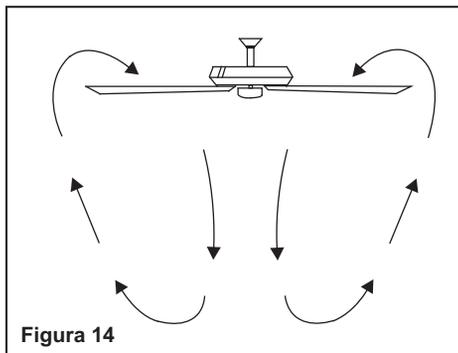


Figura 14

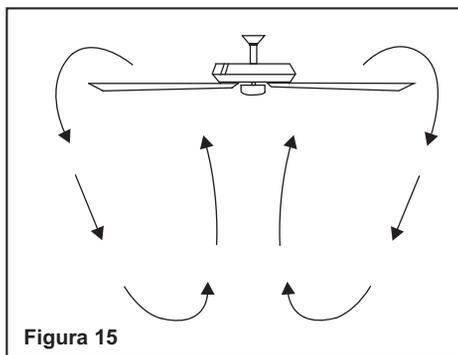


Figura 15

Desmontar el Ventilador

Este ventilador viene con un aspa y un protector frontal preensamblados para facilitar tu instalación. Verifica que todos los tornillos estén bien apretados y asegurados en su lugar.

Si necesitas desarmar el ventilador para cualquier propósito, como limpiarlo, quite los dos tornillos de fijación y asegure los tornillos después de limpiar las cuchillas. (Fig. 16)

Usa solamente un cepillo suave o un trapo que no suelte pelusa para evitar que se dañe el terminado. El enchapado esta sellado con barniz para minimizar decoloración, manchas o pérdida de brillo.

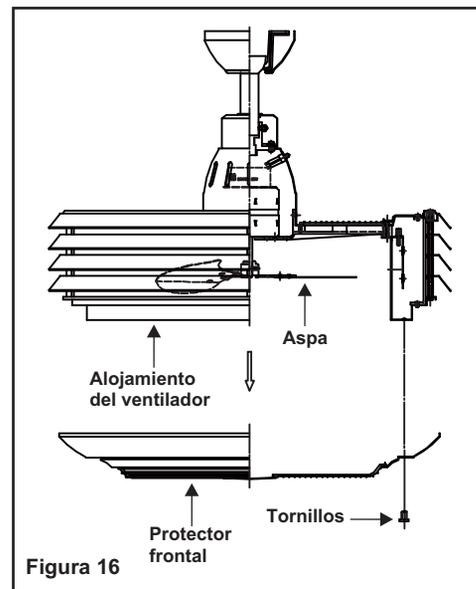


Figura 16

He aquí algunas sugerencias para ayudarle el mantenimiento del ventilador.

1. Debido al movimiento natural del ventilador, algunas conexiones se podrían aflojar. Examinar las conexiones del soporte, soportes, y accesorios de las aspas dos veces al año. Asegurarse de que estén seguros. (No es necesario retirar el ventilador del techo).

2. Limpiar el ventilador periódicamente para ayudar a mantener su apariencia de nuevo con el transcurso del tiempo. Usar solamente un cepillo suave o paño sin hilas para evitar rayar el acabado. El recubrimiento metálico se sella con una laca para minimizar la decoloración o manchado. No usar agua al limpiarlo. madera, o posiblemente causar choque eléctrico.

3. Se puede aplicar una capa ligera de pulidor para muebles a las aspas de madera para brindar protección adicional y realzar su belleza. Cubrir los rayones pequeños con una ligera aplicación de betún para calzado.

4. No hay necesidad de aceitar el ventilador. El motor tiene cojinetes permanentemente lubricados.

ADVERTENCIA

ASEGURARSE DE QUE LA ELECTRICIDAD ESTÉ DESACTIVADA EN EL TABLERO DE DISTRIBUCIÓN ELÉCTRICA ANTES DE INTENTAR CUALQUIER REPARACIÓN REFERIRSE A LA SECCIÓN "CÓMO EFECTUAR CONEXIONES ELÉCTRICAS".

9. Cómo cuidar del ventilador

Problema

Solución

El ventilador no arranca.

1. Revisar los fusibles o interruptores de circuitos.
2. Verificar las conexiones de cables de línea al ventilador y conexiones de cable del interruptor.
PRECAUCIÓN: Asegurarse de que la fuente principal de electricidad esté desactivada.
3. Check to make sure the dip switches from the transmitter and receiver are set to the same frequency.

El ventilador hace mucho ruido.

1. Asegurarse de que todos los tornillos de la cubierta del motor estén ajustados.
2. Asegurarse de que los tornillos que sujetan el soporte de aspas del ventilador al eje del motor estén apretados.
3. Asegurarse de que las conexiones de tuercas para cable no estén rozando unas contra otras o contra la pared interior de la cubierta protectora del interruptor.
PRECAUCIÓN: Asegurarse de que la fuente principal de electricidad esté desactivada.
4. Permitir un período de "desgaste" de 24 horas. La mayoría de los ruidos asociados con un ventilador nuevo desaparecen durante este tiempo.
5. Si se está usando un juego opcional de iluminación para el ventilador de techo, asegurarse de que los tornillos que aseguran el pantalla de luz estén apretados. Asimismo, verificar que la bombilla esté segura.
6. Algunos motores son sensibles a las señales provenientes de controles de velocidad variable de estado sólido. Si tiene instalado este tipo de control, elegir e instalar otro tipo.
7. Asegurarse de que el escudete superior esté a una corta distancia del techo. No debe hacer contacto con el techo.

Fallo del mando a distancia

1. No conecte el ventilador con un control en la pared de velocidad variable (s).
2. Compruebe que el interruptor oculto esté configurado correctamente.

Resolución de problemas 10.

Tamaño del Ventilador	Velocidad	Voltios	Amperios	Vatios	RPM	CFM	N.W.	G.W.	C.F.
23" (58 cm)	Baja	120	0.25	19.64	900	619.17	28.66 lbs	37.04 lbs	6.08'
	Alta	120	0.31	37	1475	1008.99			

Estas son mediciones aproximadas. No incluyen los Amperios y vatios usado por el juego de eliminación.

Este equipo cumple con lo establecido en la Parte 15 de la Normativa FCC. Su funcionamiento está sujeto a las dos condiciones siguientes: (1) Este equipo no causará interferencias perjudiciales y (2) este equipo tolerará cualquier interferencia recibida, incluidas las interferencias que puedan provocar un funcionamiento no deseado.

Advertencia: los cambios o modificaciones en esta unidad no aprobados expresamente por la parte responsable del cumplimiento podrían anular la autoridad del usuario para utilizar el equipo.

NOTA: este equipo ha sido probado y cumple con los límites establecidos para dispositivos digitales de clase B, según el apartado 15 de las Normas de la FCC. Dichos límites han sido definidos para proporcionar una protección razonable frente a interferencias perjudiciales en una instalación residencial. Este equipo genera, utiliza y puede desprender energía de radiofrecuencia y, si no se instala y se utiliza según las instrucciones, puede causar interferencias dañinas a la radiocomunicación.

Sin embargo, no es posible garantizar que el equipo no provoque interferencias en una instalación particular. Si este equipo provoca interferencias perjudiciales a la recepción de radio o televisión, lo que puede determinarse encendiéndolo y apagándolo, es recomendable intentar corregir dichas interferencias mediante una o varias de las siguientes medidas:

- Vuelva a orientar o cambie de lugar la antena receptora.
- Aumente la separación entre el equipo y el receptor.
- Conecte el equipo en una toma de corriente en un circuito diferente al que el receptor está conectado.
- Consulte con el distribuidor o con un técnico especialista en radio/televisión para más ayuda.

©2020 Progress Lighting, Inc.
701 Millennium Blvd.,
Greenville, SC 29607
All Rights Reserved

11. Especificaciones