



**WARNING:** BE SURE THE ELECTRICITY TO THE WIRE YOU ARE WORKING ON IS SHUT OFF; EITHER THE FUSE REMOVED OR THE CIRCUIT BREAKER OFF.

**WARNING:** USE OF OTHER MANUFACTURERS COMPONENTS WILL VOID WARRANTY, U.L. AND/OR ETL LISTING, AND CREATE A POTENTIAL SAFETY HAZARD.

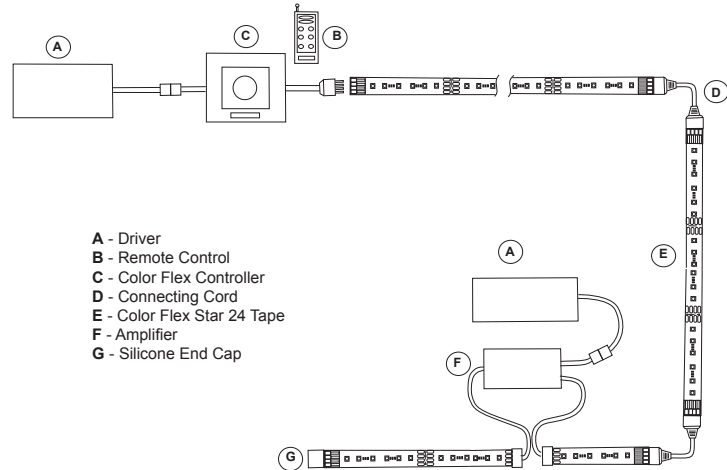
**WARNING:** RISK OF ELECTRIC SHOCK. FOR USE IN DRY LOCATIONS ONLY.

**WARNING:** DO NOT ENERGIZE ELECTRICAL SUPPLY CIRCUIT TO DRIVER(S) UNTIL ALL CONNECTIONS HAVE BEEN MADE AND TESTED ACCORDING TO NATIONAL ELECTRICAL CODES AND ALL LOCAL ELECTRICAL CODES. IF YOU ARE UNCLEAR ON HOW TO PROCEED, CONTACT A QUALIFIED ELECTRICIAN.

**CAUTION:** RISK OF FIRE: 12V LED TAPE MUST NOT BE USED IN A 24V SYSTEM, and 24V LED TAPE MUST NOT BE USED IN A 12V SYSTEM

#### Installation

1. Layout your installation prior to installation. Do not exceed distance of 24' from driver to StarStrand Color Flex Star 24 installation. If connecting cords are in a difficult to reach area it is recommended to use heat shrink tubes over cord connections to make sure cords do not disconnect.
2. Do not exceed maximum runs listed on chart on reverse side of these instructions. The maximum run for StarStrand Color Flex Star 24 is 20'. Additional 20' runs can be done using the same controller by adding the optional amplifier. Connecting cords may be used between sections of StarStrand Color Flex Star 24 when necessary. The length of the connecting cord does not affect maximum run. Maximum run distances listed are the length of StarStrand Color Flex Star 24 only.
3. Connector pins are made of brass and care needs to be taken not to bend pins during installation.
4. Do not bend StarStrand Color Flex Star 24 in excess of 45°



- A - Driver
- B - Remote Control
- C - Color Flex Controller
- D - Connecting Cord
- E - Color Flex Star 24 Tape
- F - Amplifier
- G - Silicone End Cap





### CONTROLLER OPERATION

To turn on the StarStrand Color Flex 24, turn the dial to the right. To increase color temperature turn the dial to the right. To decrease color temperature, turn the dial to the left. To turn the StarStrand Color Flex 24 off, turn the dial to the left until the dial clicks.

### REMOTE OPERATION

	Button	Function
<b>StarStrand Color Flex Controller</b>	1	Power On/Off
	2	Color Temperature Control (2900 K - 7000 K)
	3	Speed Increase Control (10 Levels)
	4	Speed Decrease Control (10 Levels)
	5	Dimming Control - Increase Brightness
	6	Dimming Control - Decrease Brightness
	7/8	Pause

### MAXIMUM RUN CHART

<b>Color Flex Star 24</b>	30w Driver	10 Feet
	60w Driver	20 Feet
	75w Driver	20 Feet

### 5 YEAR LIMITED WARRANTY

StarStrand™ LED Tape Lighting System components will be warranted for normal use for 5 years while the original purchaser owns it. Normal use means residential non-commercial use for no more than 6 hours per day.

Maxim Lighting and/or ET2 Contemporary Lighting will, at its election, repair, replace or make appropriate adjustment where Maxim Lighting and/or ET2 Contemporary Lighting inspection discloses any such defects occurring in normal usage within five (5) years after date of shipment. Maxim Lighting and/or ET2 Contemporary Lighting is not responsible for removal or installation costs. This warranty is limited to the repair or replacement of the product only and that Maxim Lighting and/or ET2 Contemporary Lighting is not responsible for any labor incurred. Use of incorrect installation methods will void the warranty.

To obtain warranty service contact Maxim Lighting and/or ET2 Contemporary Lighting either through your Dealer, Contractor or E-tailer, or by writing Maxim Lighting International, Attn: Customer Service Department, 253 North Vineland Avenue, City of Industry, CA 95746, USA, or by calling 1-800-486-2946 from within the USA and 1-626-956-4200 outside of the USA.

#### DISCLAIMER OF IMPLIED WARRANTY

IMPLIED WARRANTIES INCLUDING THAT OF MERCHANTABILITY AND FITNESS FOR A PARTICULAR PURPOSE ARE EXPRESSLY LIMITED IN DURATION TO THE DURATION OF THIS WARRANTY. MAXIM LIGHTING AND/OR ET2 CONTEMPORARY LIGHTING AND/OR SELLER DISCLAIMS ANY LIABILITY FOR SPECIAL, INCIDENTAL OR CONSEQUENTIAL DAMAGES.

Some states/provinces do not allow limitations on how long an implied warranty lasts, or the exclusion or limitation of special, incidental or consequential damages, so these limitations and exclusions may not apply to you. This warranty gives you specific legal rights. You may also have other rights which vary from state/province to state/province.

